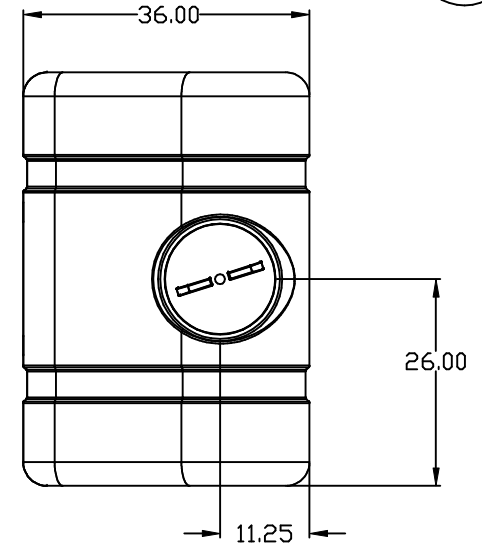
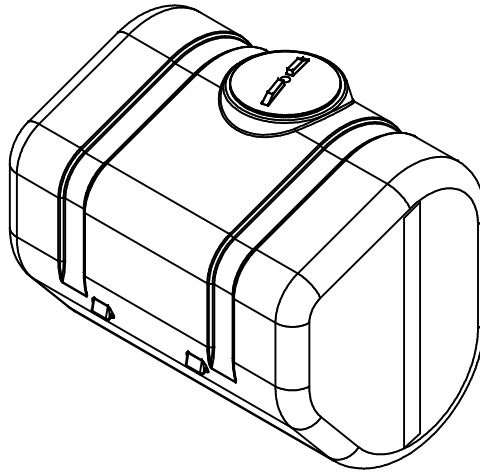
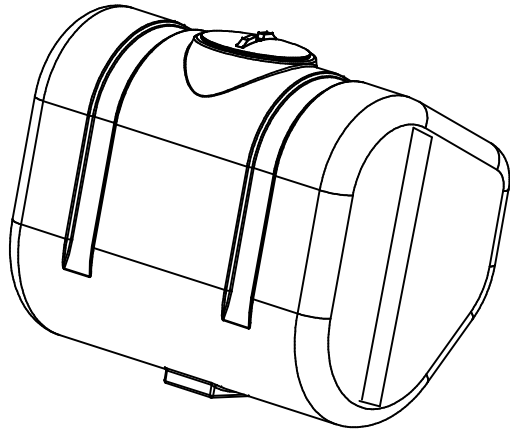


PROPRIETARY DATA

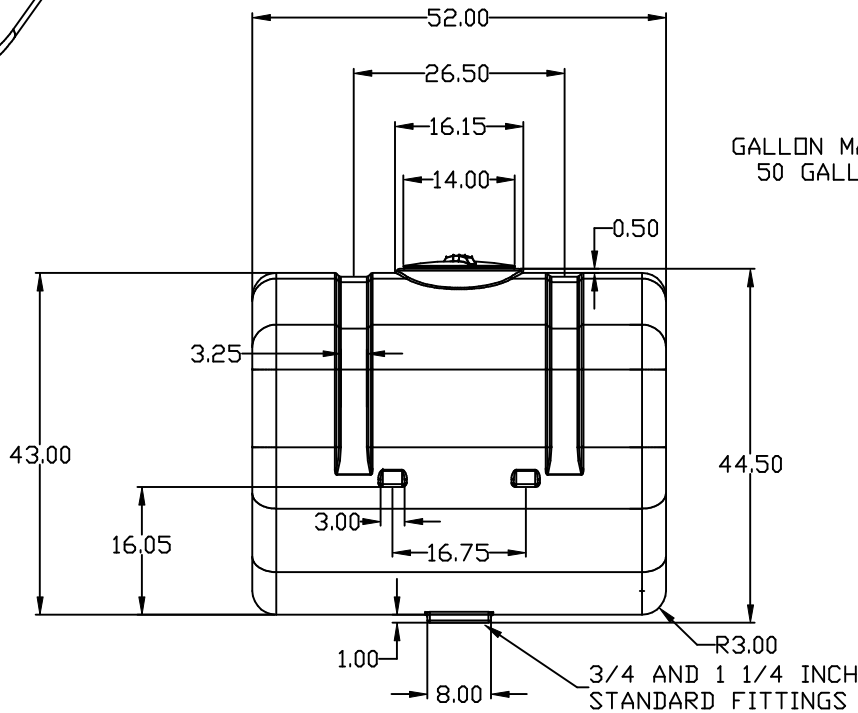
PROPERTY OF ACE ROTO-MOLD MFG., INC. INFORMATION FURNISHED HEREIN IS THE PROPERTY OF ACE ROTO-MOLD MFG., INC. AND SHALL NOT BE USED, DISCLOSED TO OTHERS, OR COPIED WITHOUT THE EXPRESSED WRITTEN CONSENT OF ACE ROTO-MOLD MFG., INC. ALL RIGHTS RESERVED.

TD0250-36

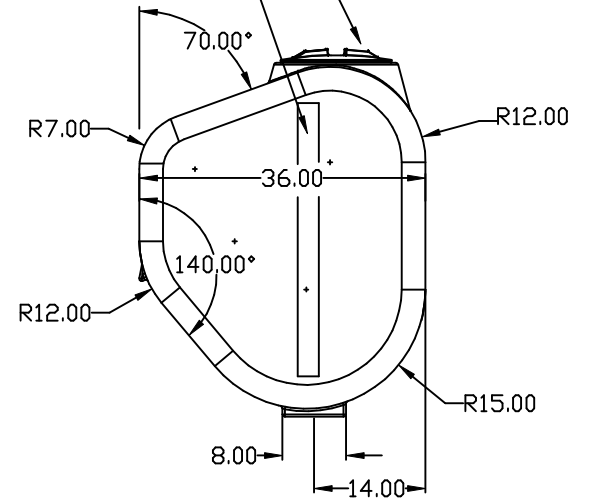
B



ALL RADII ARE 0.3 UNLESS OTHERWISE SPECIFIED



GALLON MARKERS EACH END
50 GALLON INCREMENTS



REV	DESCRIPTION	DATE	APPRD	DRAWN / DATE	MATERIAL
B	RELOCATED GAL. MARKERS	5/19/05		NVE 7/14/05	POLYETHYLENE REFERENCE MATERIAL DATA SHEET FOR SPECIFIC PROPERTIES.
A	REVISE PART NUMBER	12/14/05		APPRD. / DATE	
				REH/1/9/06	
ALL DIMENSIONS ARE IN DECIMAL INCHES TOLERANCES UNLESS OTHERWISE SPECIFIED ± 1% @ 68° F				THIRD ANGLE PROJECTION ANSI 14.5M	NOTES: 1. NOM. WALL @ .280 2. SHOT WEIGHT 95 LBS.

ACE ROTO-MOLD
A DIVISION OF DEN HARTOG INDUSTRIES, INC.
4018 HWY. 60 BLVD., BOX 421, HOSPERS, IOWA 51238

CLIENT / DESCRIPTION	
250 GALLON TEAR DROP TANK	
SCALE	PART NO.
N.S.	TD0250-36