

8

7

6

5

4

3

2

1

F

E

D

C

B

A

F

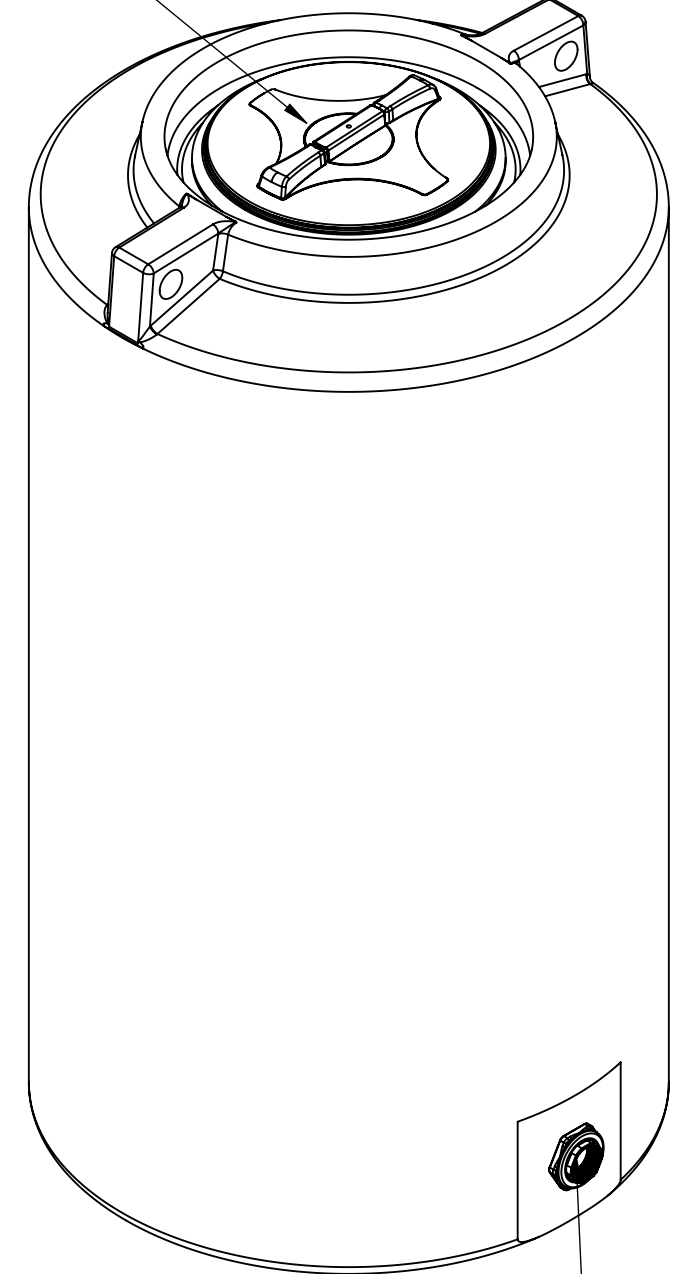
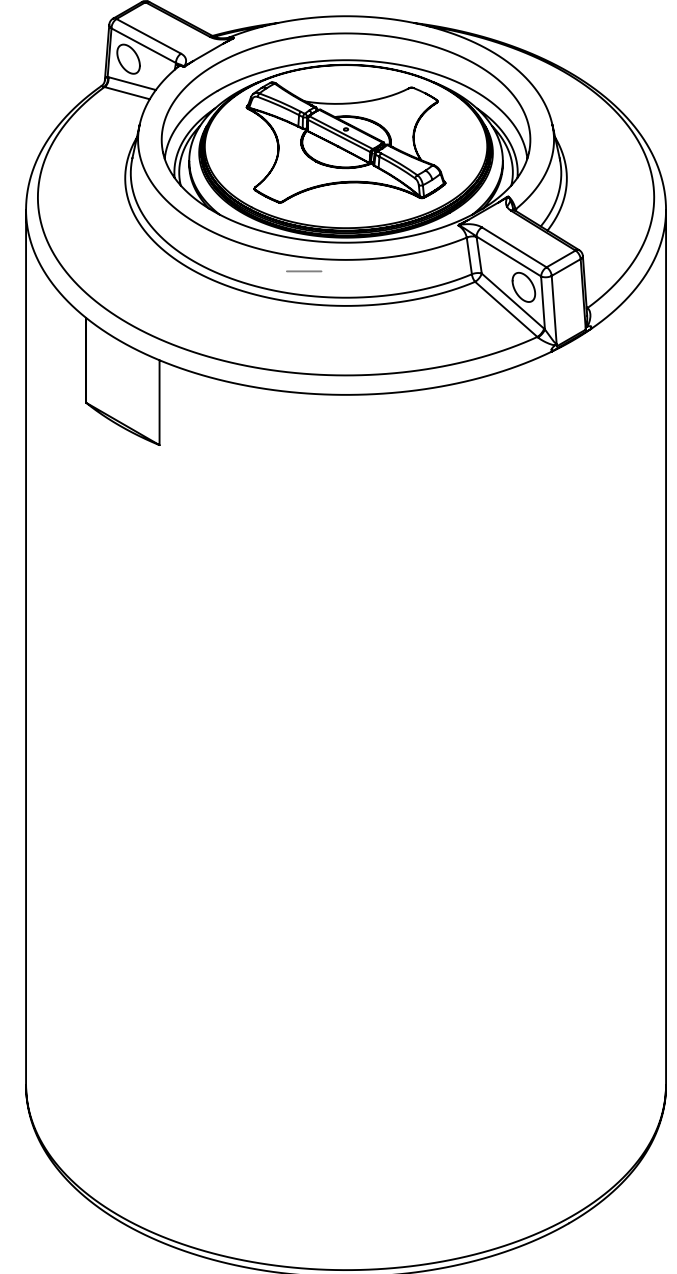
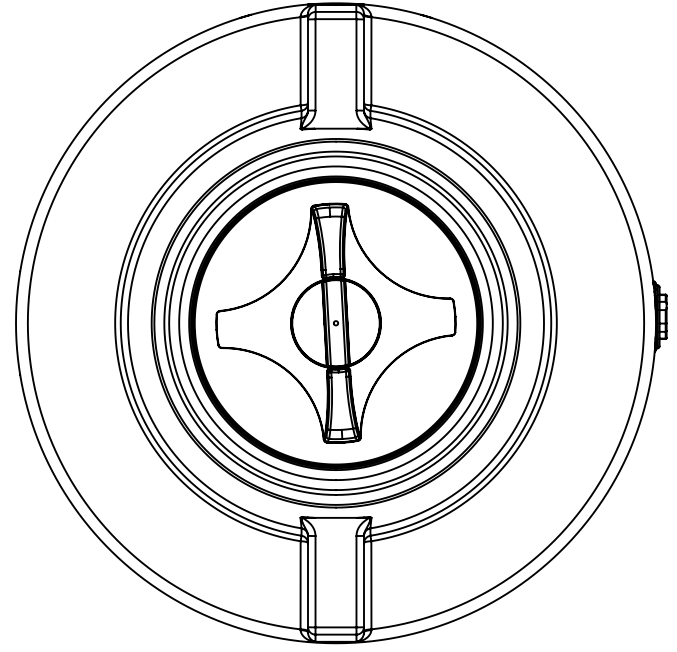
E

D

C

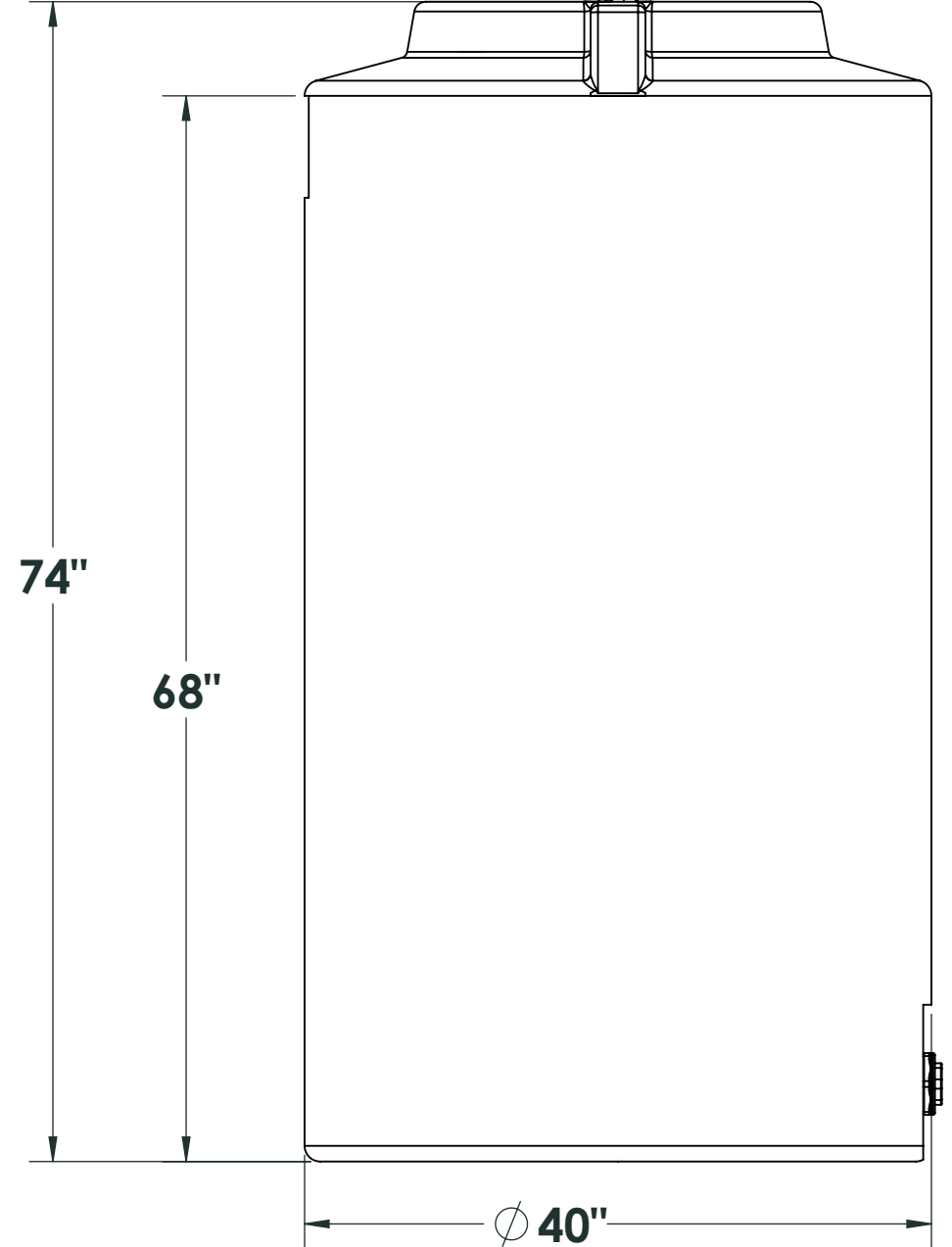
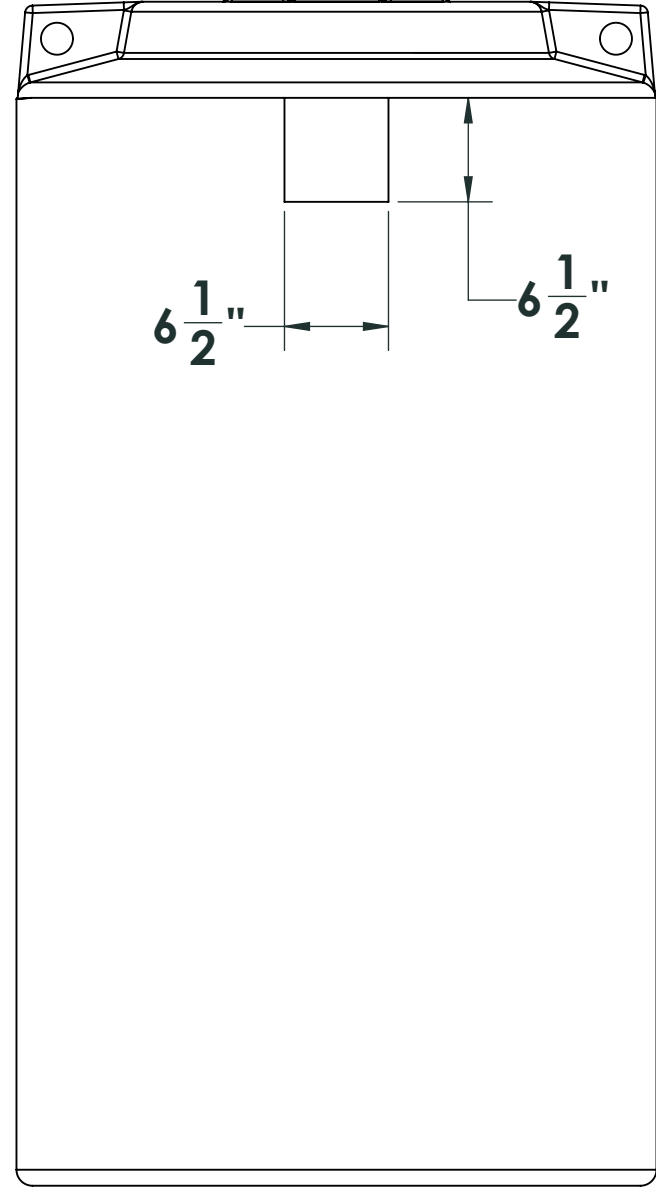
B

A



16 inch lid

2 inch threaded fitting



NOTE: Allow +/- 1.5% Shrinkage

PROPRIETARY AND CONFIDENTIAL
 THE INFORMATION CONTAINED IN THIS DRAWING IS THE SOLE PROPERTY OF ENDURAPLAS LLC. ANY REPRODUCTION IN PART OR AS A WHOLE WITHOUT THE WRITTEN PERMISSION OF ENDURAPLAS LLC IS PROHIBITED.

UNLESS OTHERWISE SPECIFIED:		NAME	DATE
DIMENSIONS ARE IN INCHES		DRAWN	DNS 10/31/16
TOLERANCES:		CHECKED	
FRACTIONAL ±		ENG APPR.	
ANGULAR: MATCH ± BEND ±		MFG APPR.	
TWO PLACE DECIMAL ±		Q.A.	
THREE PLACE DECIMAL ±		COMMENTS:	
INTERPRET GEOMETRIC TOLERANCING PER:	FINISH		
MATERIAL	DO NOT SCALE DRAWING		
NEXT ASSY	USED ON		
APPLICATION			

ENDURAPLAS LLC			
TITLE:			
TLV00340			
SIZE	DWG. NO.	REV	
C		1	
SCALE: 1:16 WEIGHT:		SHEET 1 OF 1	