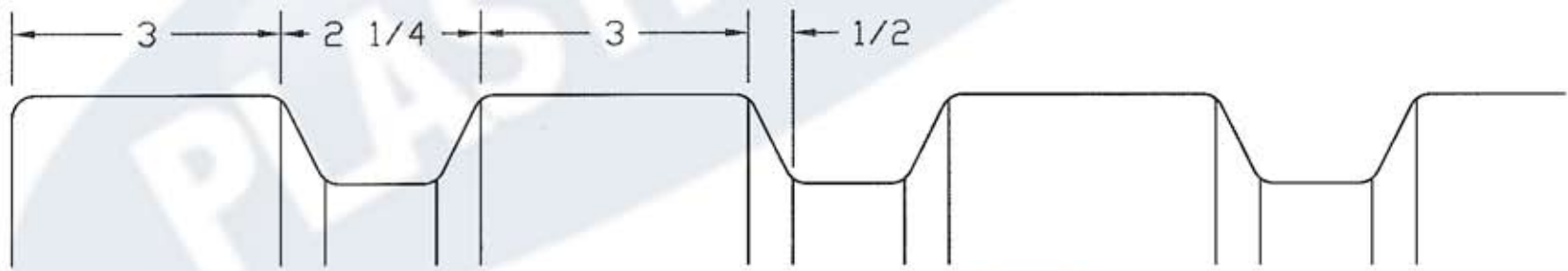
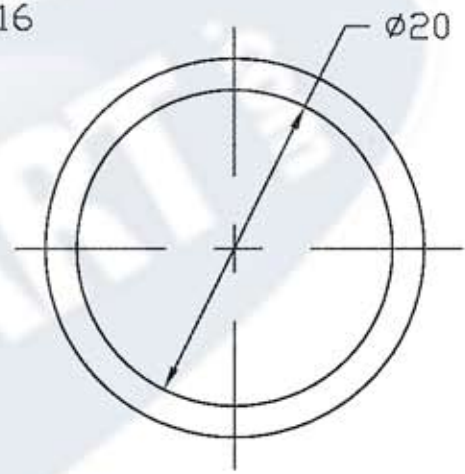
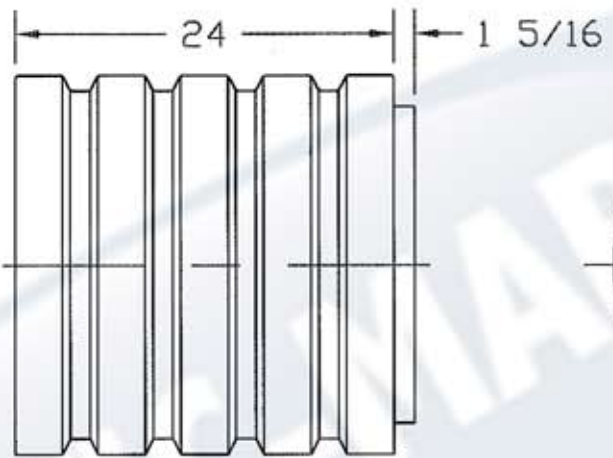
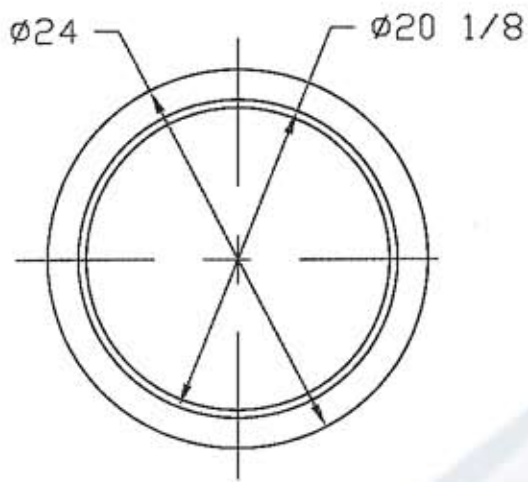


| REVISIONS | | | | |
|-----------|-----|-------------|------|----------|
| ZONE | REV | DESCRIPTION | DATE | APPROVED |
| | | | | |



RIB DETAIL
1/2 SCALE

| | | | | | |
|-----|---------|---------------------------------------|----------|------------------|-----|
| | | PLASTIC-MART 866-310-2556 | | | |
| | | MANHOLE EXTENSION 24 X 20 W/O LUGS | | | |
| JTP | 31MAY01 | SIZE A | FSCM NO. | DWG NO. 62396 | REV |
| | | SCALE 1/12 | | SHEET | |