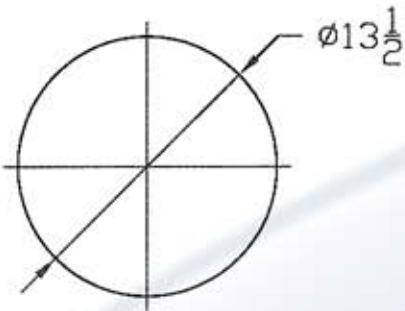
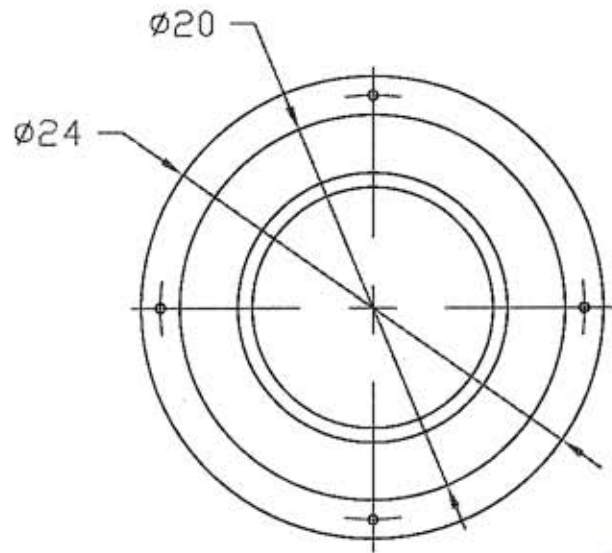
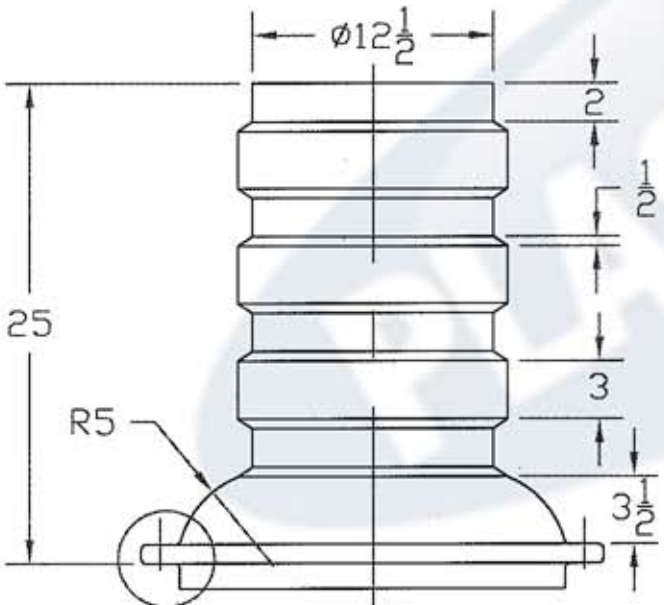
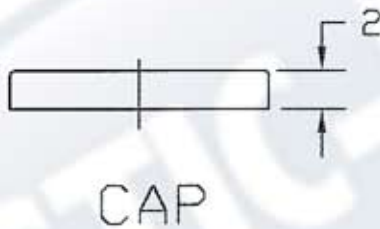
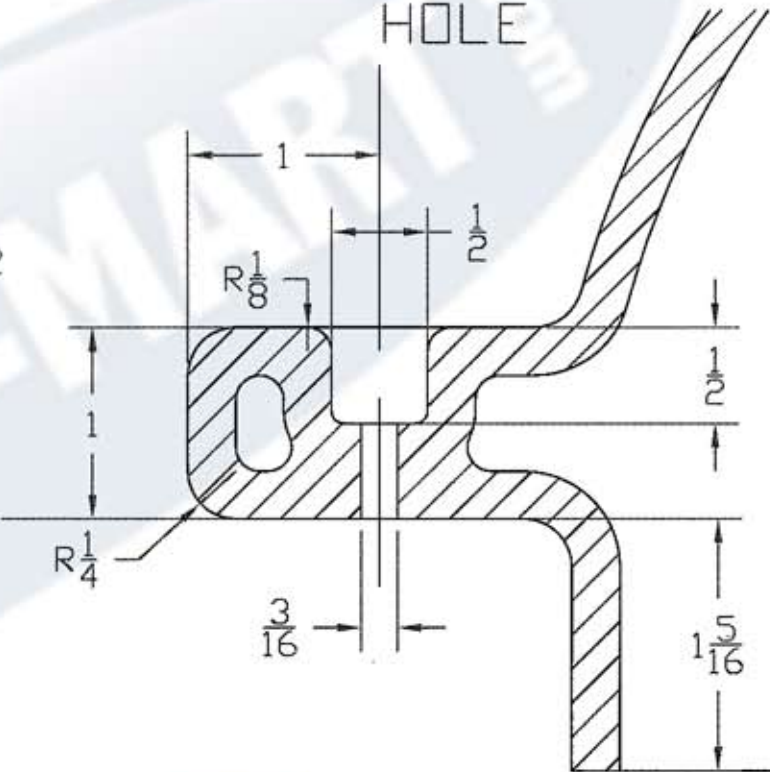


REVISIONS				
ZONE	REV	DESCRIPTION	DATE	APPROVED



CROSS-SECTION
DETAIL AT
HOLE



SEE DETAIL

JTP 24JAN02		866-310-2556	
LID RISER & CAP			
12" DIA. x 25" HIGH			
SIZE A	FSCM NO.	DWG NO. 62395	REV
SCALE 1/10		SHEET	