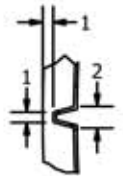
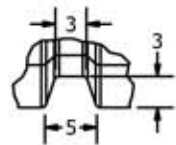


SECTION A-A
SCALE 1:24

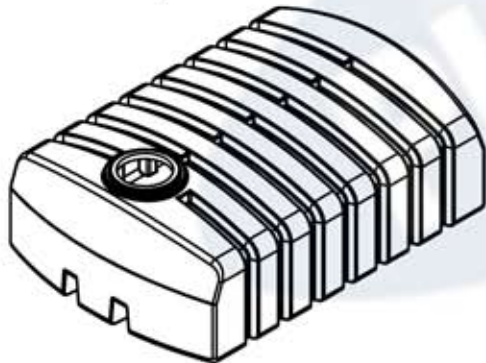


DETAIL B
SCALE 1 / 12




DETAIL E
SCALE 1 / 12

SECTION F-F
SCALE 1:24



FOB ST BONIFACIUS MN AND LANCASTER OH

DRAWN Jerry Paulson	3/20/2009		866-310-2556	
CHECKED			TITLE	
QA		1600 GALLON LOW PROFILE WATER TANK		
MFG		SIZE B	DWG NO	REV
APPROVED		SCALE: 1/24	SHEET 1 OF 1	