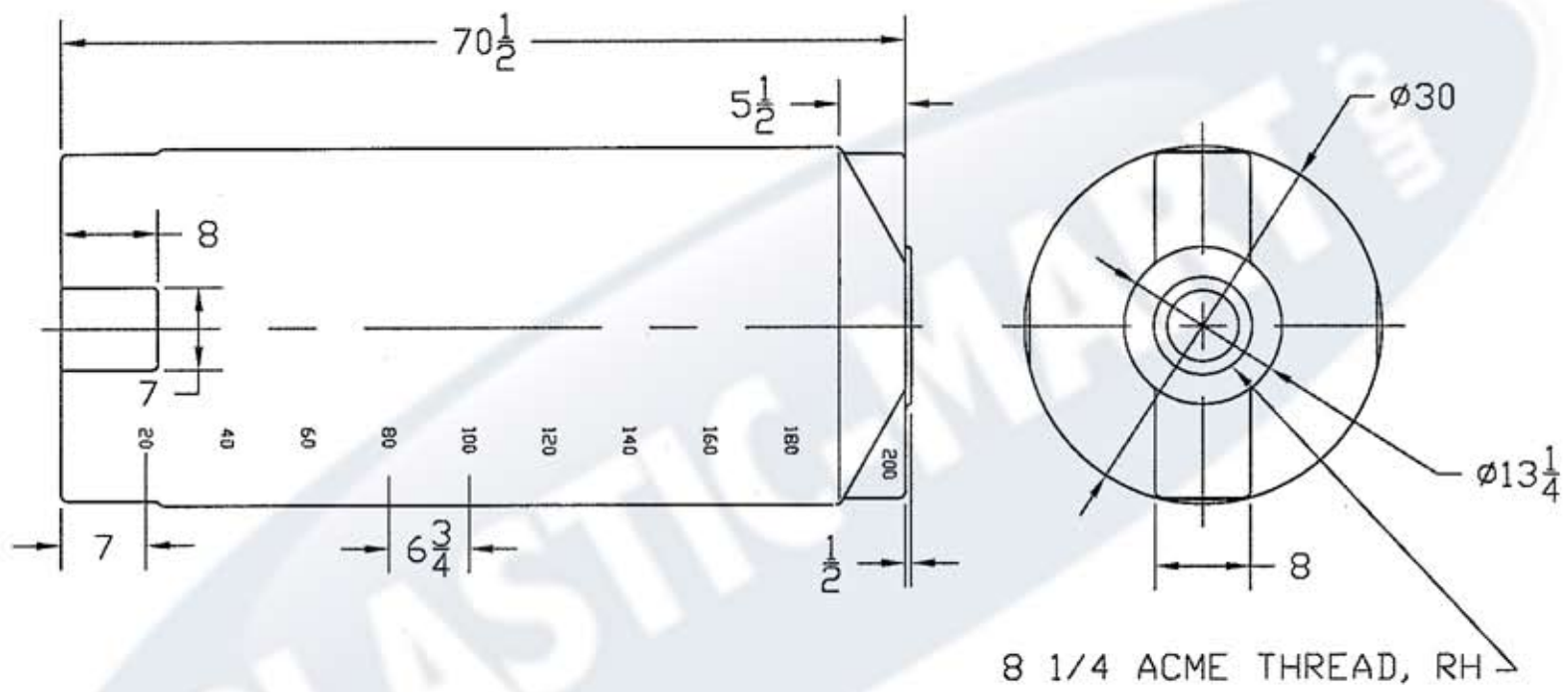


REVISIONS				
ZONE	REV	DESCRIPTION	DATE	APPROVED



PLASTIC-MART 866-310-2556

200 GALLON VERTICAL
TANK X 30 DIA

JTP 11JUL03		SIZE A	FSCM NO.	DWG NO.	REV
		SCALE 1/16	SHEET		