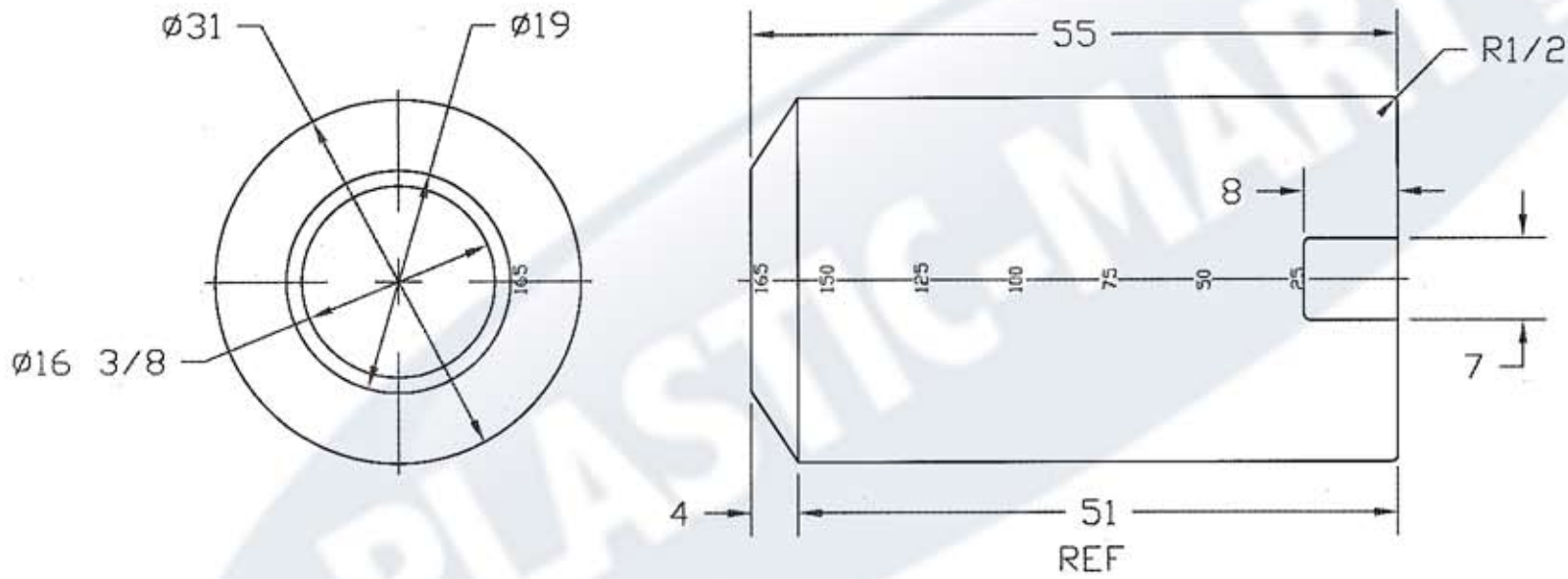



REVISIONS				
ZONE	REV	DESCRIPTION	DATE	APPROVED
	A	REDRAWN	02JAN96	



		 866-310-2556	
		165 GALLON VERTICAL TANK	
JTP	02JAN97	SIZE A	REV A
		SCALE 1/16	SHEET