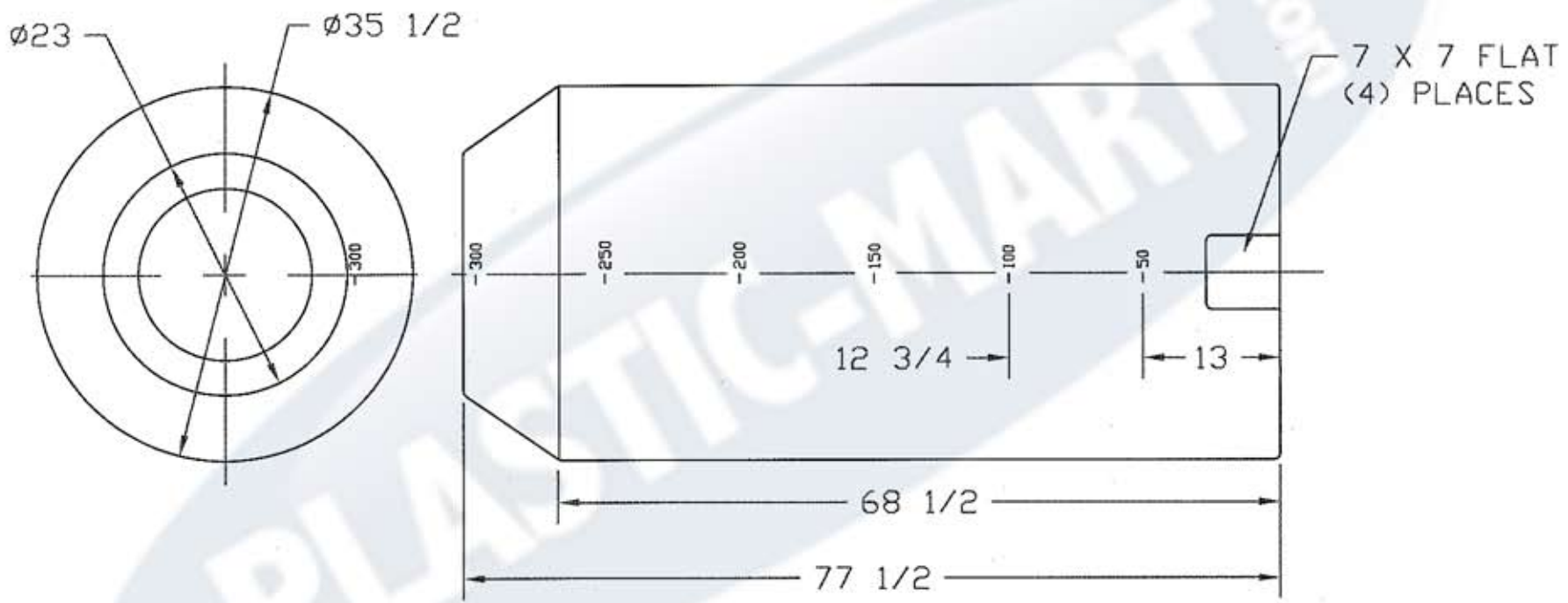



REVISIONS				
ZONE	REV	DESCRIPTION	DATE	APPROVED
	A	REDRAWN	9NOV95	



		 866-310-2556	
		300 GALLON VERTICAL TANK	
JTP	9NOV95	SIZE A	FSCM NO. DWG NO. REV A
		SCALE 1/16	SHEET