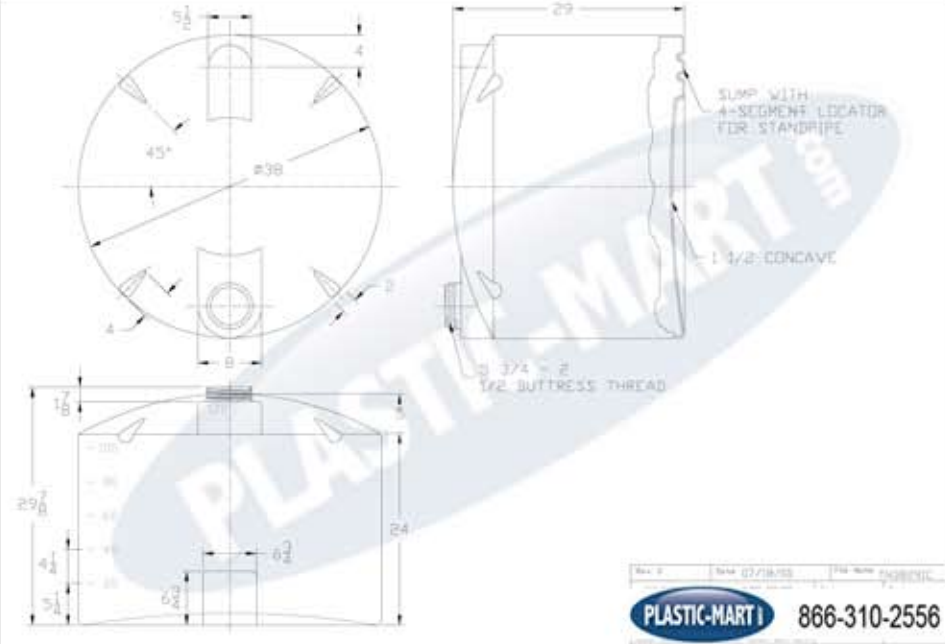


**PLASTIC-MART** 866-310-2556

Rev. #	Date 07/18/08	File Name TN3829IC
Part #		
120 GAL MINI-BULK TANK		
Part #	Qty #	
TN3829IC	C-3829-1N	

THIS DRAWING & DESIGN IS THE PROPERTY OF CHEM-TANER INDUSTRIES INC. IT MAY NOT BE USED FOR ANY PURPOSE OTHER THAN BY THE OWNER. CHEM-TANER DOES NOT AUTHORIZE THE REPRODUCTION OR CONVEYANCE OF ANY INFORMATION CONTAINED HEREIN.

ALL DIMENSIONS SHOWN ARE OUTSIDE UNLESS OTHERWISE SPECIFIED IN INCHES, AND VARY BY THE STANDARD INDUSTRIAL HOLDING TOLERANCE OF .015.



**PLASTIC-MART** 866-310-2556

Rev. #	Date 07/18/08	File Name TN3829-2N
Part #		
120 GAL MINI-BULK TANK		
Part #	Qty #	
TN3829IC	C-3829-2N	

THIS DRAWING & DESIGN IS THE PROPERTY OF CHEM-TANER INDUSTRIES INC. IT MAY NOT BE USED FOR ANY PURPOSE OTHER THAN BY THE OWNER. CHEM-TANER DOES NOT AUTHORIZE THE REPRODUCTION OR CONVEYANCE OF ANY INFORMATION CONTAINED HEREIN.

ALL DIMENSIONS SHOWN ARE OUTSIDE UNLESS OTHERWISE SPECIFIED IN INCHES, AND VARY BY THE STANDARD INDUSTRIAL HOLDING TOLERANCE OF .015.