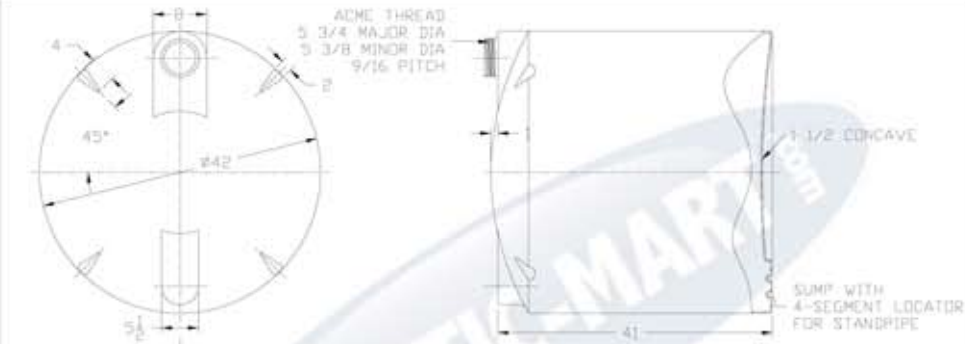


Rev: 1	Date: 05/18/98	File Name: [C424]-1
PLASTIC-MART 866-310-2556		
TITLE 220 GAL. MINI-BULK TANK		
Part #	Dwg #	
TN42411C	C-4241-1N	

THIS DRAWING & DESIGN IS THE PROPERTY OF CHEM-TAINER INDUSTRIES INC. IT MAY NOT BE USED FOR ANY PURPOSE OTHER THAN BY THE OWNER. CHEM-TAINER DOES NOT AUTHORIZE THE REPRODUCTION OR CONVERSION OF ANY INFORMATION CONTAINED HEREIN.

ALL DIMENSIONS SHOWN ARE OUTSIDE PART DIMENSIONS IN INCHES, AND VARY BY THE STANDARD ROTATIONAL MOLDING TOLERANCE OF .005.



Rev: 1	Date: 05/18/98	File Name: [C424]-1
PLASTIC-MART 866-310-2556		
TITLE 220 GAL. MINI-BULK TANK		
Part #	Dwg #	
TN42411C	C-4241-2N	

THIS DRAWING & DESIGN IS THE PROPERTY OF CHEM-TAINER INDUSTRIES INC. IT MAY NOT BE USED FOR ANY PURPOSE OTHER THAN BY THE OWNER. CHEM-TAINER DOES NOT AUTHORIZE THE REPRODUCTION OR CONVERSION OF ANY INFORMATION CONTAINED HEREIN.

ALL DIMENSIONS SHOWN ARE OUTSIDE PART DIMENSIONS IN INCHES, AND VARY BY THE STANDARD ROTATIONAL MOLDING TOLERANCE OF .005.