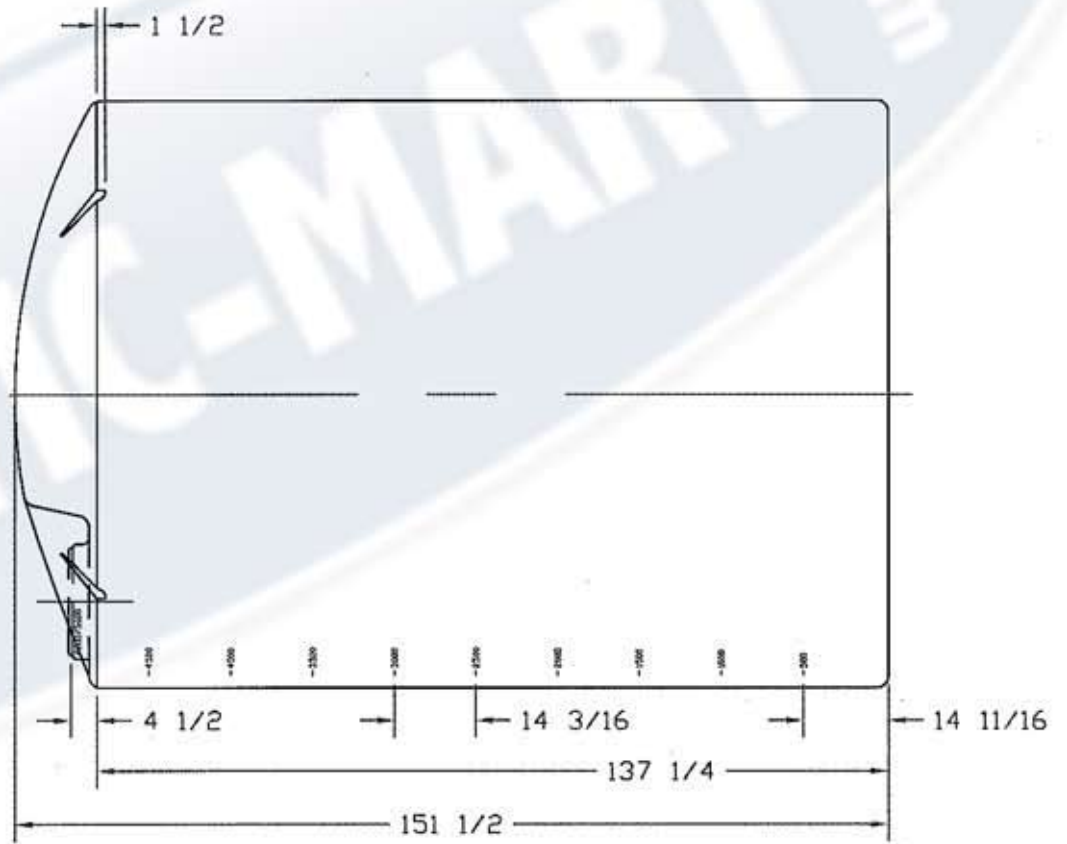
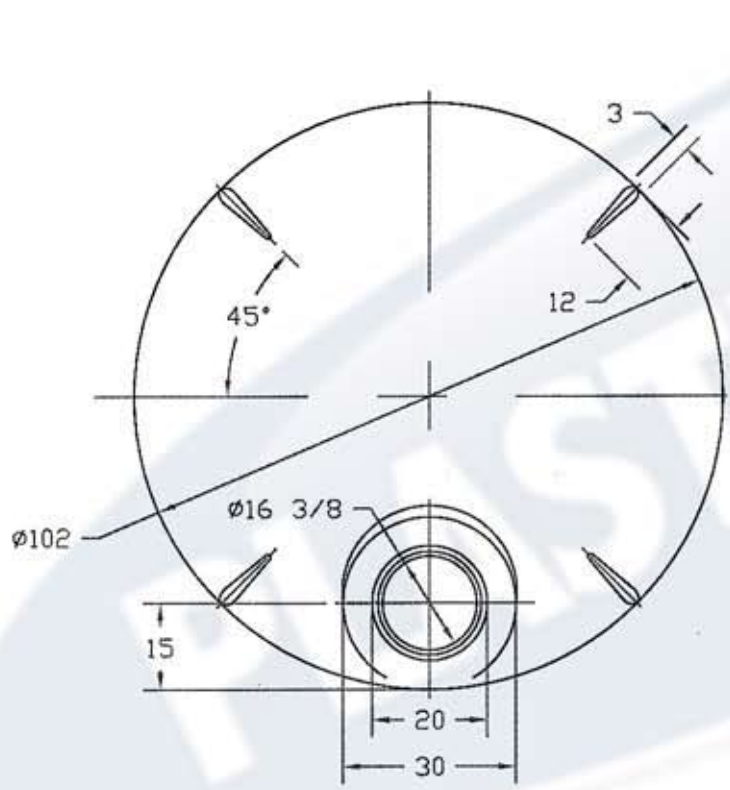


REVISIONS				
ZONE	REV	DESCRIPTION	DATE	APPROVED
	B	REDRAWN	14AUG97	



		PLASTIC-MART 866-310-2556	
		5000 GALLON VERTICAL STORAGE TANK	
JTP	14AUG97	SIZE B	FSCM NO. DWG NO.
SCALE 1/24		SHEET	