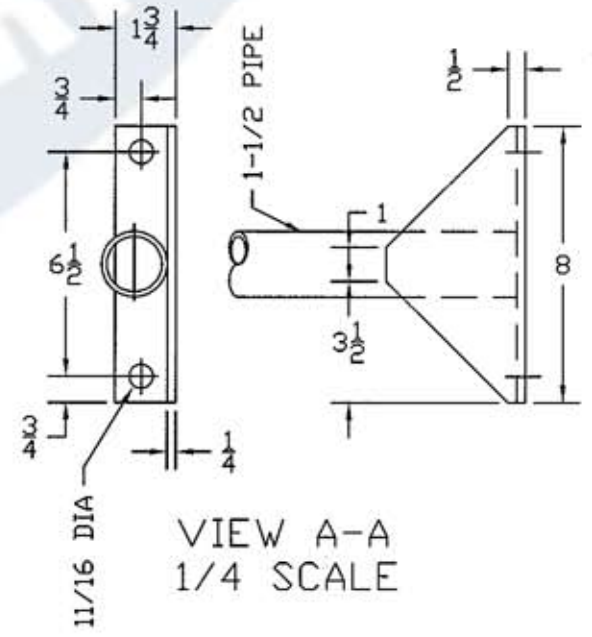
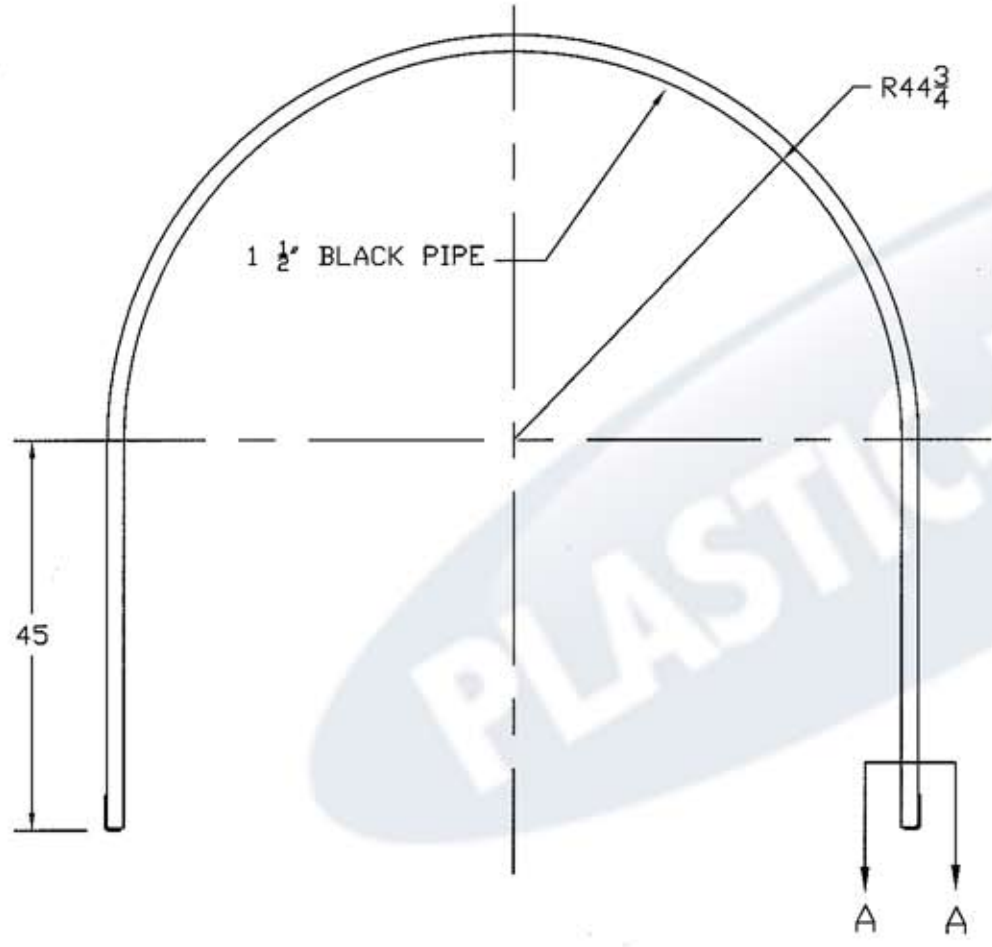


REVISIONS				
ZONE	REV	DESCRIPTION	DATE	APPROVED



PLASTIC-MART 866-310-2556

BAND, 5025 GALLON
HORIZONTAL TANK

JTP	15SEP03	SIZE B	FSCM NO.	DWG NO. 63284	REV
SCALE 1/16			SHEET		