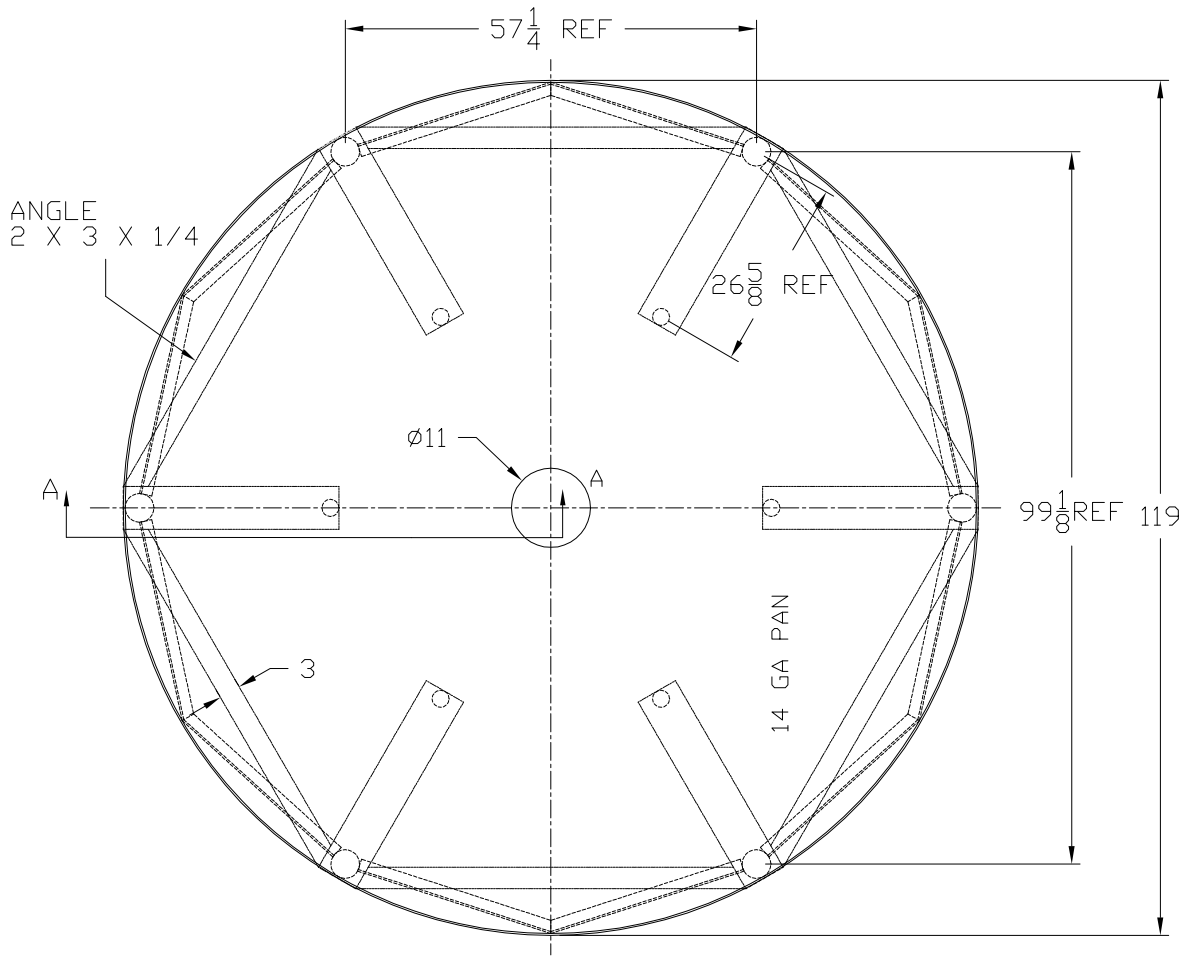
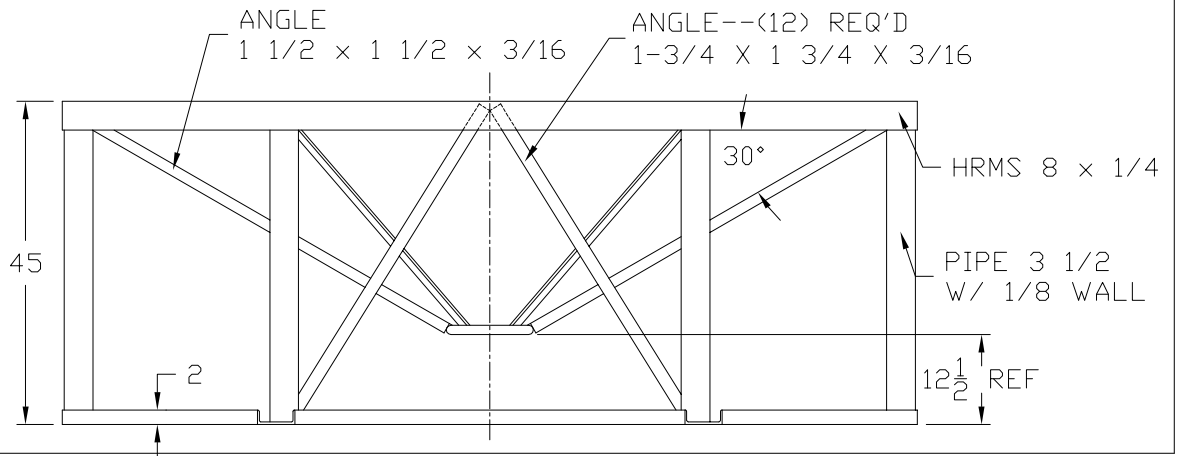
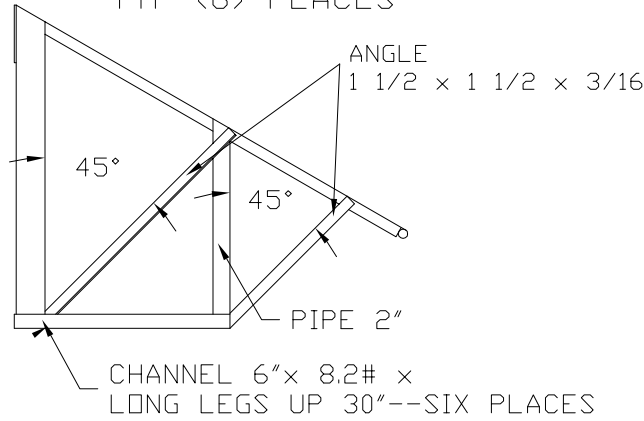


THIS DRAWING & DESIGN IS THE PROPERTY OF CHEM-TAINER INDUSTRIES INC. IT MAY NOT BE USED FOR ANY PURPOSE OTHER THAN BY THE OWNER. CHEM-TAINER DOES NOT AUTHORIZE THE REPRODUCTION OR CONVEYANCE OF ANY INFORMATION CONTAINED HEREIN.

ALL DIMENSIONS SHOWN ARE IN INCHES.



VIEW A-A
TYP (6) PLACES



Rev. 1	Date 06/08/00	File Name S500X119
CHEM-TAINER Industries Inc.		
361 Neptune Ave. W. Babylon, NY 11704		
Tel: (631) 661-8300 Fax: (631) 661-8209		
Part #	Drawn By: IIA	Scale
TNS5500JK		
Dwg. #	Cust. Rep.	
S-5500-10		
TITLE STAND, 5500 GAL. CONE BOTTOM		