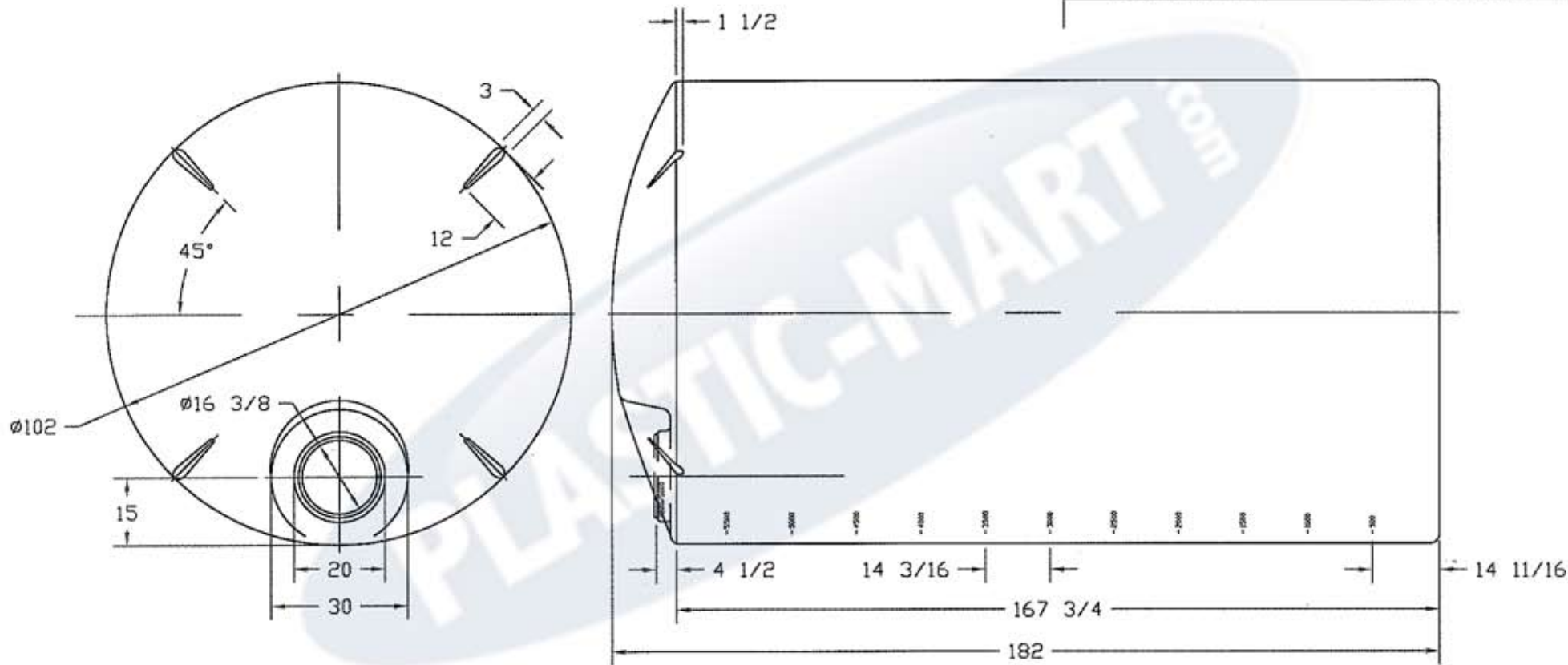


REVISIONS				
ZONE	REV	DESCRIPTION	DATE	APPROVED
	B	REDRAWN	14AUG97	



		<b>PLASTIC-MART</b>		866-310-2556	
6000 GALLON VERTICAL STORAGE TANK					
JTP	14AUG97	SIZE B	FSCM NO.	DWG NO.	REV B
SCALE 1/24			SHEET		