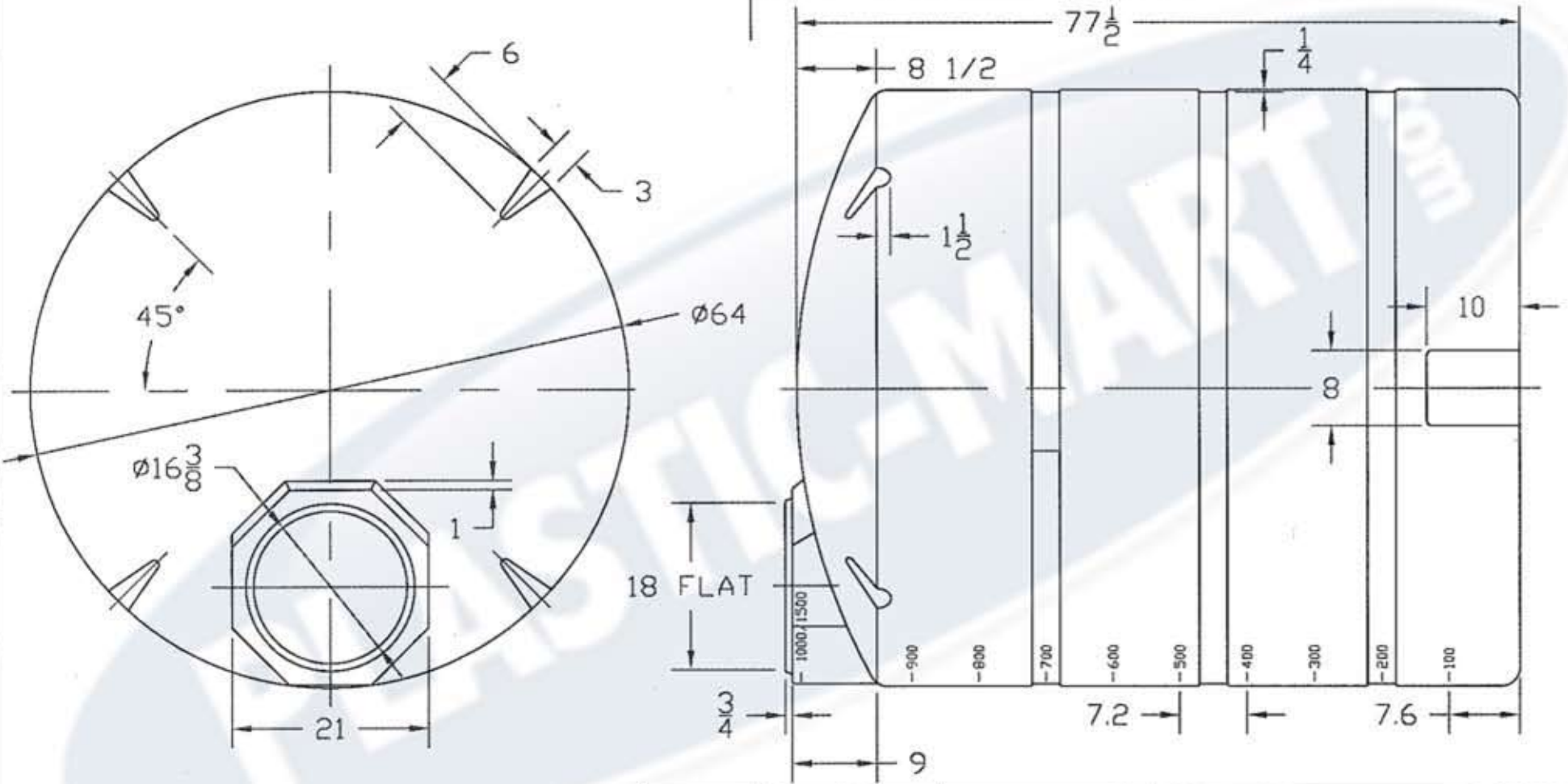



REVISIONS				
ZONE	REV	DESCRIPTION	DATE	APPROVED
	A	REDRAWN	09JAN97	



		 <b>866-310-2556</b>		
		1000 GALLON VERTICAL TANK		
JTP	09JAN97	SIZE A	FSCM NO.	DWG NO.
		SCALE 1/16		SHEET
				REV A