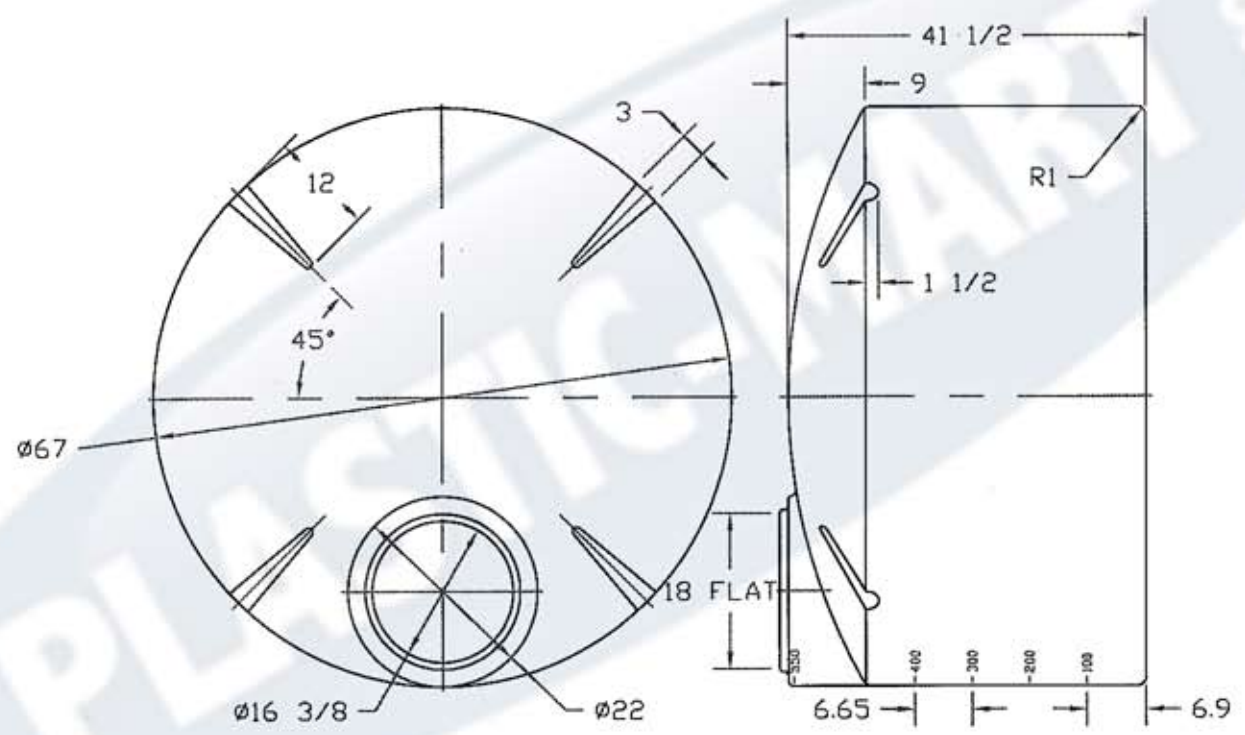


REVISIONS				
ZONE	REV	DESCRIPTION	DATE	APPROVED
	B	REDRAWN	02JAN97	



		PLASTIC-MART I 866-310-2556	
		550 GALLON VERTICAL TANK	
JTP	02JAN97	SIZE B	FSCM NO.
		OWG NO.	REV B
		SCALE 1/16	SHEET