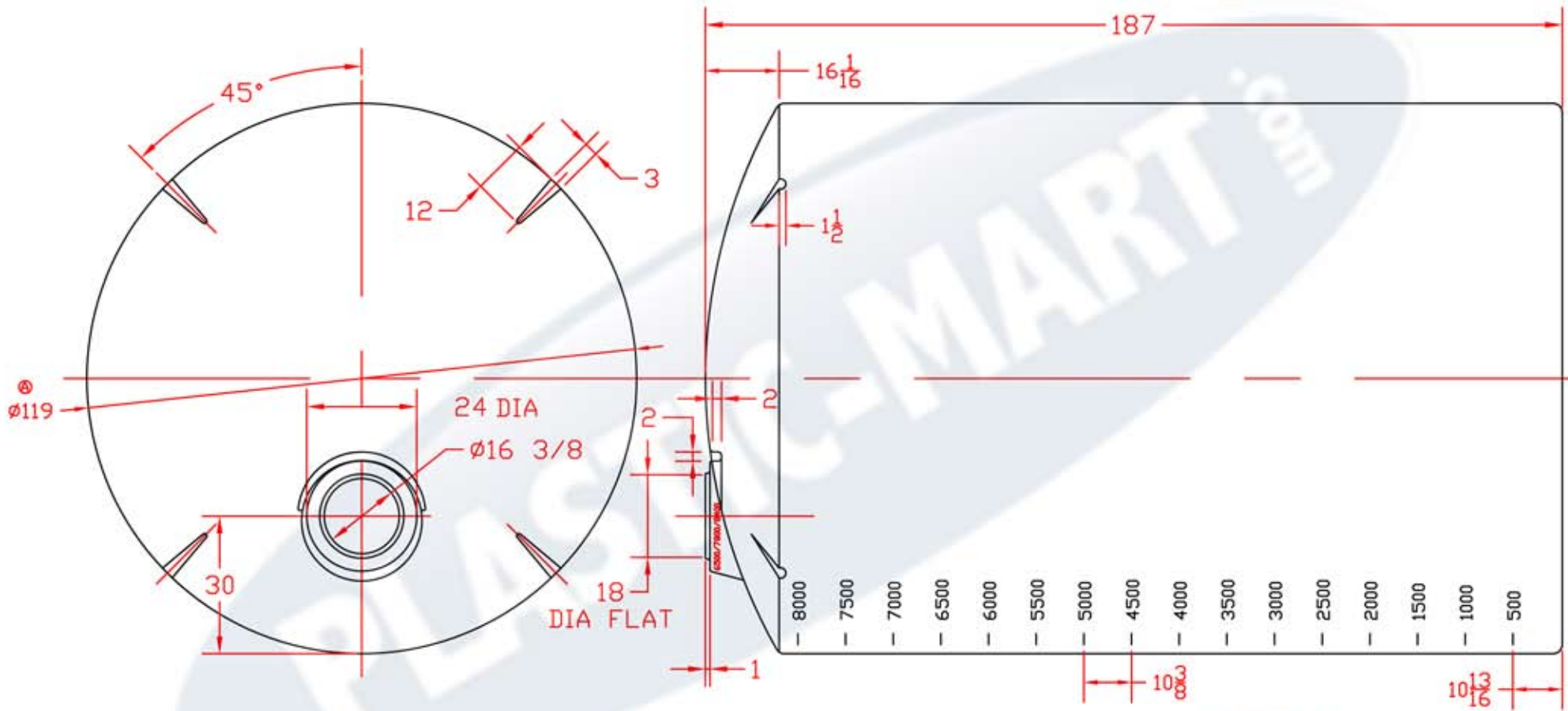


ZONE		REV	DESCRIPTION	REVISIONS	DATE	APPROVED
		A	UPDATE TO PRODUCTION			08SEP06



PLASTIC-MART 866-310-2556

8400 GALLON VERTICAL TANK

JTP 05AUG04	SIZE B	FSCM NO.	DWG NO.	REV A
SCALE 1/24			SHEET	