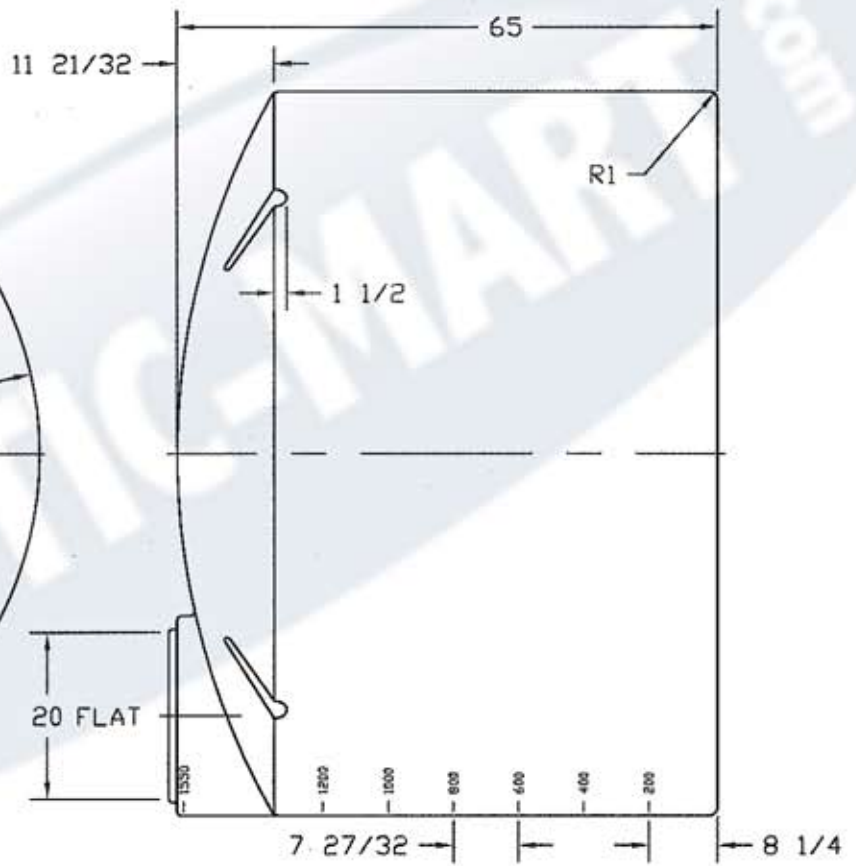
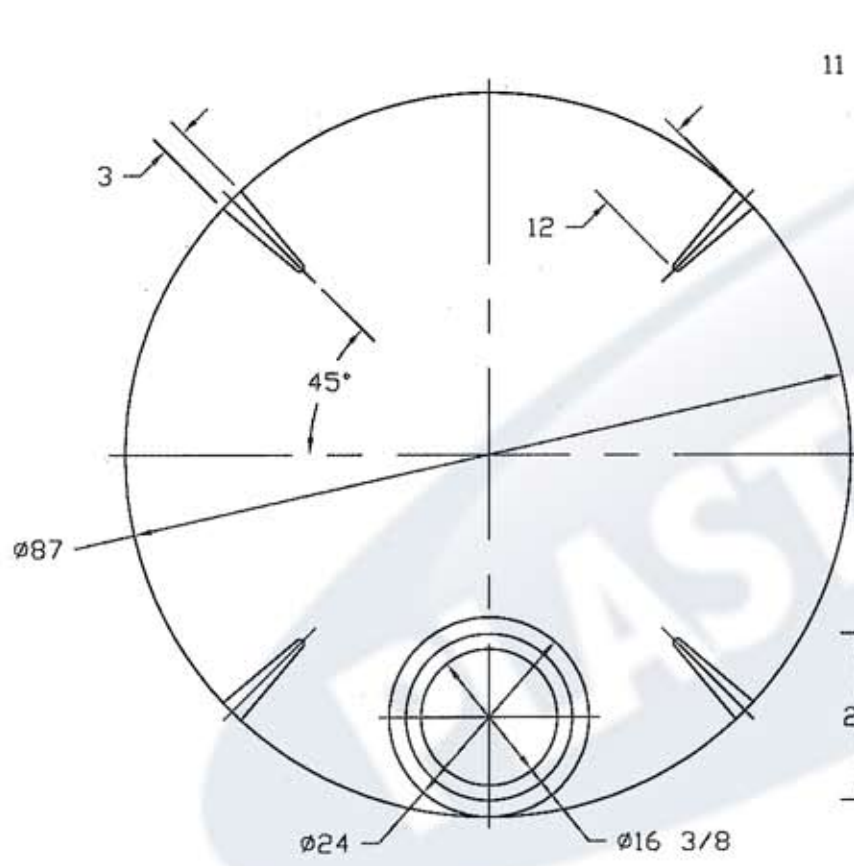


REVISIONS				
ZONE	REV	DESCRIPTION	DATE	APPROVED
	A	REDRAWN	02JAN97	



**PLASTIC-MART** 866-310-2556

1550 GALLON VERTICAL TANK

JTP	02JAN97	SIZE B	FSCM NO.	DWG NO.	REV A
SCALE 1/16		SHEET			