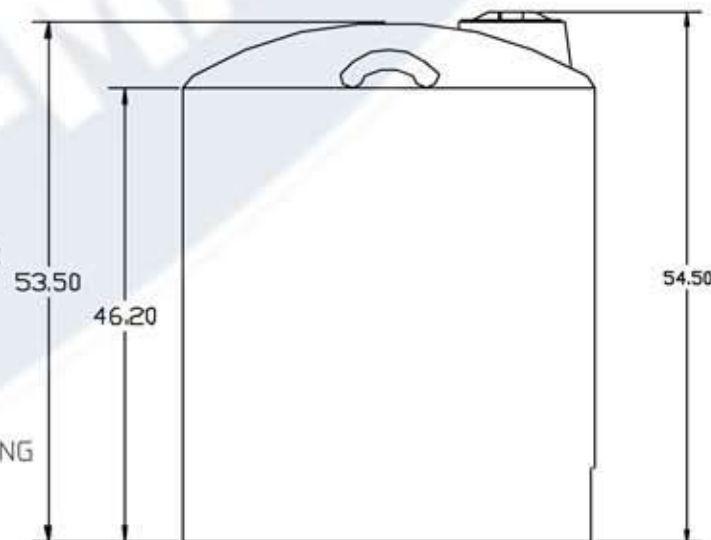
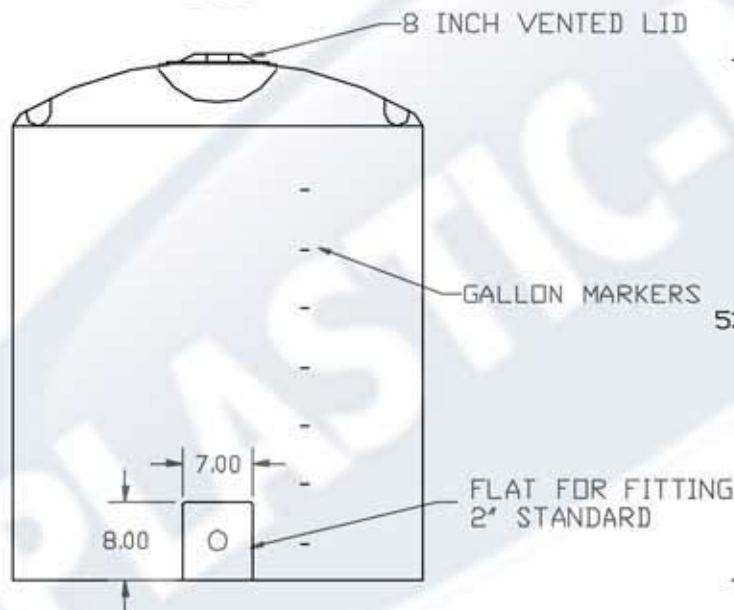
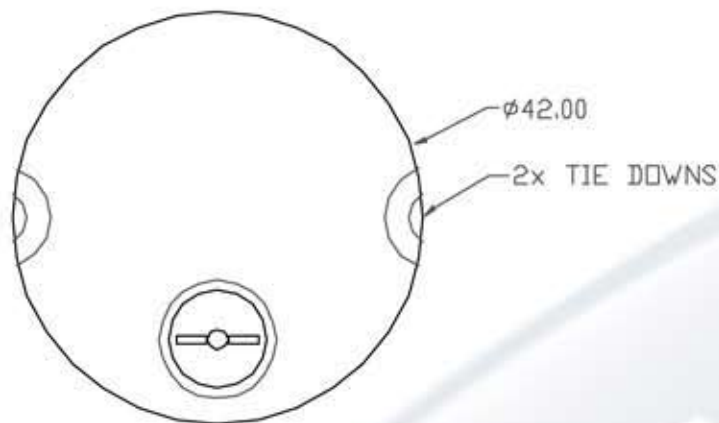


PROPRIETARY DATA

VT0300-42

A

PROPERTY OF ACE ROTO-HOLD MFG., INC. INFORMATION FURNISHED HEREIN IS THE PROPERTY OF ACE ROTO-HOLD MFG., INC. AND SHALL NOT BE USED, DISCLOSED TO OTHERS, OR COPIED WITHOUT THE EXPRESSED WRITTEN CONSENT OF ACE ROTO-HOLD MFG., INC. ALL RIGHTS RESERVED.



				DRAWN / DATE DHJ 3/11/04	MATERIAL HDPE OR EQUIVALENT REFERENCE MATERIAL DATA SHEET FOR SPECIFIC PROPERTIES.
A	NEW DRAWING FORMAT	10/26/15	NVE	APPRD. / DATE	
REV	DESCRIPTION	DATE	APPRD		
ALL DIMENSIONS ARE IN DECIMAL INCHES TOLERANCES UNLESS OTHERWISE SPECIFIED $\pm 1\% @ 68^\circ F$				THIRD ANGLE PROJECTION AND 1/8"	NOTES: 1. WHITE, BLACK, BLUE, GREEN, GREY, AND YELLOW COLOR 2. SHOT WEIGHT 72 LBS. 3. NOM. WALL @ .17 4. OPTIONAL 16" VENTED LD


 866-310-2556

CLIENT / DESCRIPTION

300 GALLON VERTICAL TANK

SCALE N.S. PART NO. VT0300-42