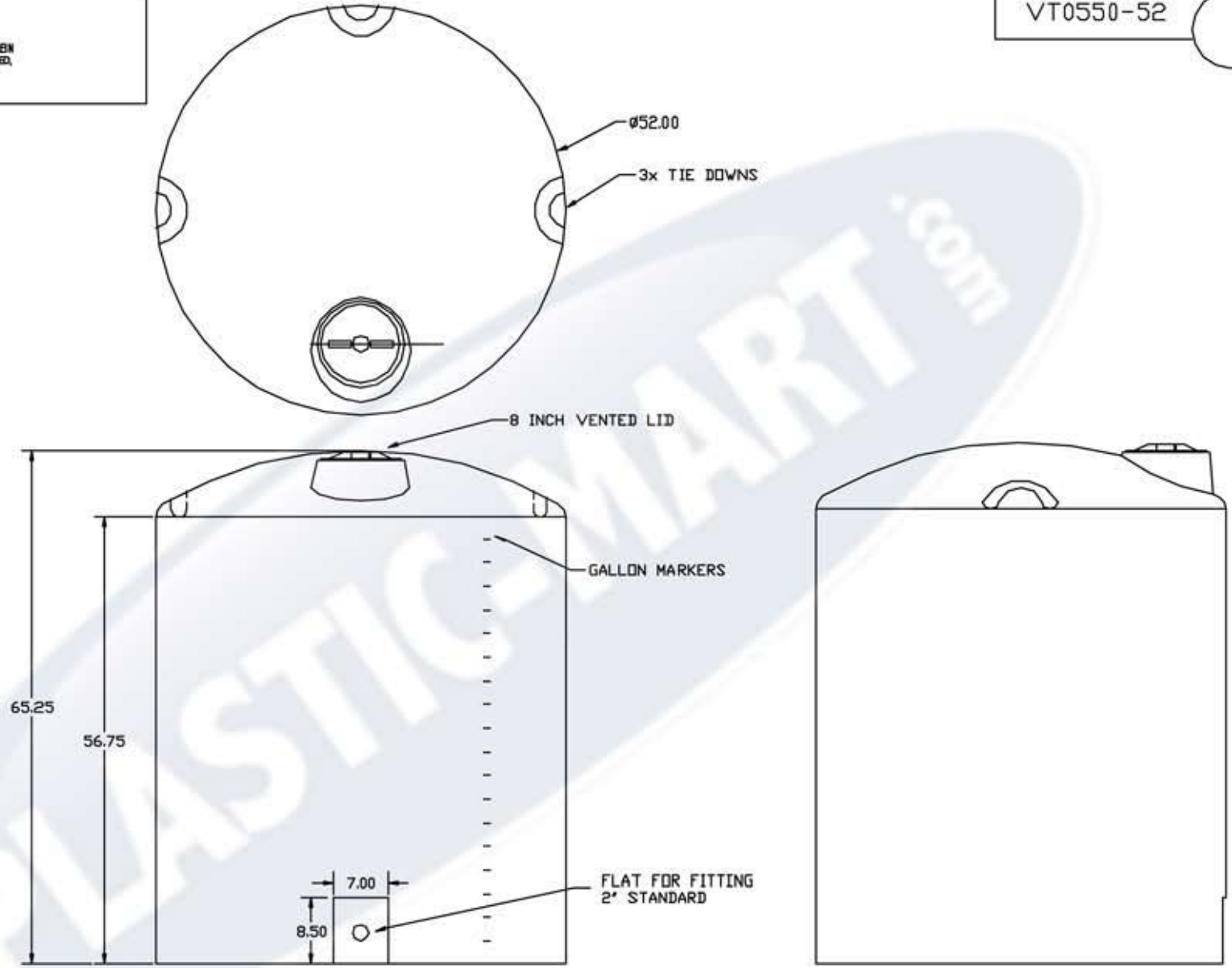

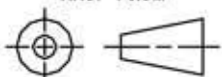


PROPRIETARY DATA

PROPERTY OF ACE ROTO-MOLD MFG., INC. INFORMATION FURNISHED HEREIN IS THE PROPERTY OF ACE ROTO-MOLD MFG., INC. AND SHALL NOT BE USED, DISCLOSED TO OTHERS, OR COPIED WITHOUT THE EXPRESSED WRITTEN CONSENT OF ACE ROTO-MOLD MFG., INC. ALL RIGHTS RESERVED.

VT0550-52



		DRAWN / DATE DHJ 5/1/03		MATERIAL / SHOT WEIGHT		 866-310-2556	
		APPRD. / DATE		POLYETHYLENE 116 LBS.			
REV	DESCRIPTION	DATE	APPRD.	CLIENT / DESCRIPTION			
ALL DIMENSIONS ARE IN DECIMAL INCHES. TOLERANCES UNLESS OTHERWISE SPECIFIED $\pm 1\% \text{ @ } 68^\circ \text{ F}$				THIRD ANGLE PROJECTION ANSI 14.5M 		NOTES: .25 NOM. WALL	
				SCALE NONE		PART NO. VT0550-52	
				550 GALLON VERTICAL			