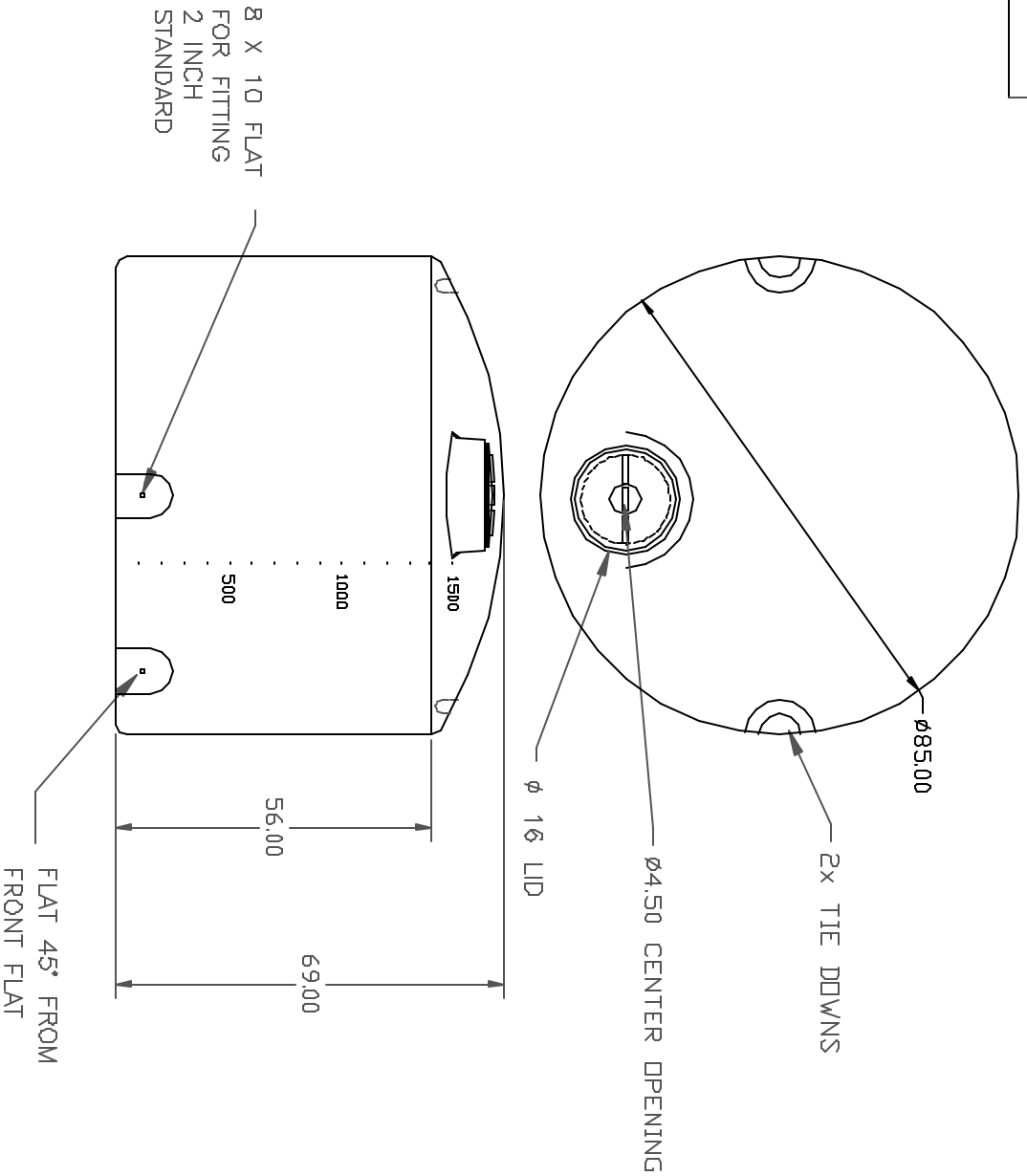


PROPRIETARY DATA

PROPERTY OF ACE ROTO-MOLD MFG., INC. INFORMATION FURNISHED HEREIN IS THE PROPERTY OF ACE ROTO-MOLD MFG., INC. AND SHALL NOT BE USED, DISCLOSED TO OTHERS, OR COPIED WITHOUT THE EXPRESSED WRITTEN CONSENT OF ACE ROTO-MOLD MFG., INC. ALL RIGHTS RESERVED.

VT1500-85



REV	DESCRIPTION	DATE	APPRD

DRAWN / DATE  
DHJ 11/19/14

APPRD. / DATE  
XXXXXX

MATERIAL  
HOPE OR EQUIVALENT REPRODUCE MATERIAL DATA SHEET FOR SPECIFIC PROPERTIES.

THIRD ANGLE PROJECTION  
ANSI Y32M

NOTES:  
1. BLUE, BLACK, GREEN, WHITE, OR YELLOW COLOR  
2. SHOT WEIGHT 251 LBS.  
3. NON. WALL .301

CLIENT / DESCRIPTION  
1500 GALLON VERTICAL TANK

SCALE  
N.S.

PART NO.  
VT1500-85

ALL DIMENSIONS ARE IN DECIMAL INCHES  
TOLERANCES UNLESS OTHERWISE SPECIFIED  
+ 1% @ 68° F

Age Roto-Mold  
A DIVISION OF BEN HARTER INDUSTRIAL INC.  
4018 HWY. 61 BLVD., BOX 471, HOSPERS, INDIANA 51238