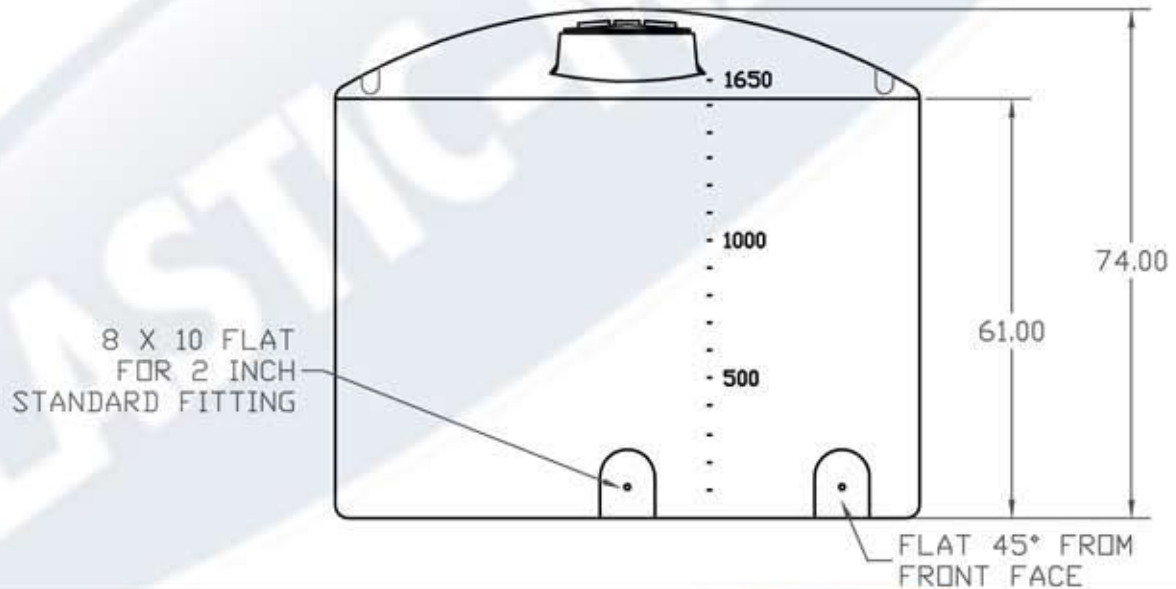
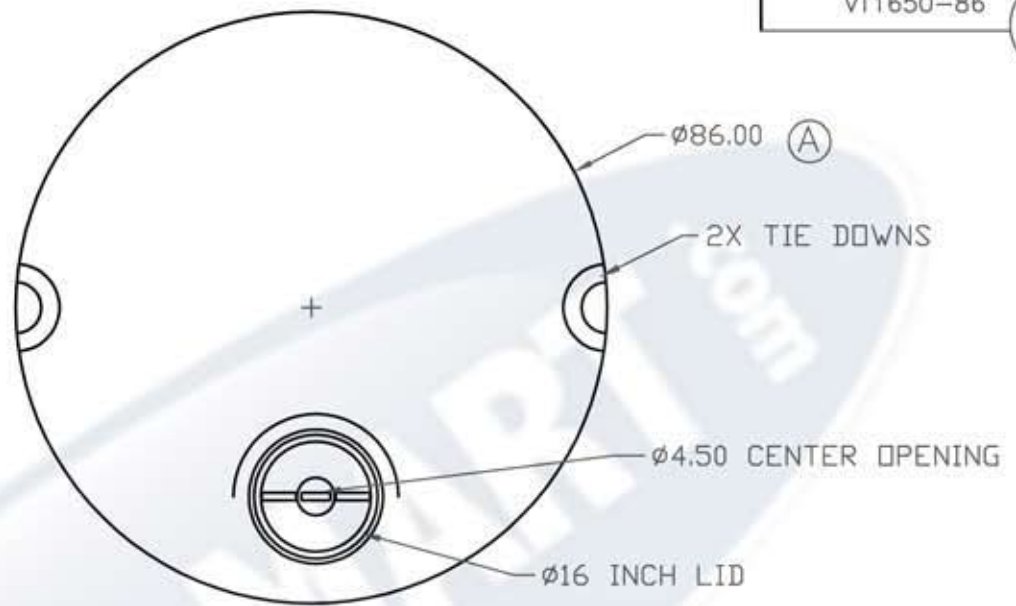


PROPRIETARY DATA

VT1650-86

B

PROPERTY OF DEN HARTOG INDUSTRIES, INC. INFORMATION FURNISHED HEREIN IS THE PROPERTY OF DEN HARTOG INDUSTRIES, INC. AND SHALL NOT BE USED, DISCLOSED TO OTHERS, OR COPIED WITHOUT THE EXPRESSED WRITTEN CONSENT OF DEN HARTOG INDUSTRIES, INC. ALL RIGHTS RESERVED.



B	CORRECT SHOT WEIGHT	9/6/06	
A	DIAMETER WAS 85, PN WAS VT1650-85	7/31/06	APPRD
REV	DESCRIPTION	DATE	APPRD

ALL DIMENSIONS ARE IN DECIMAL INCHES
TOLERANCES UNLESS OTHERWISE SPECIFIED
 $\pm 1\% @ 68^\circ F$

DRAWN / DATE	DHJ 1/14/05
APPRD. / DATE	
THIRD ANGLE PROJECTION ANSI 14.5M	

MATERIAL	HDPE OR EQUIVALENT REFERENCE MATERIAL DATA SHEET FOR SPECIFIC PROPERTIES.
NOTES:	1. NOM. WALL $\phi .300$ 2. SHOT WEIGHT 278 LBS.

		866-310-2556
CLIENT / DESCRIPTION		
1650 GALLON VERTICAL TANK		
SCALE	N.S.	PART NO. VT1650-86