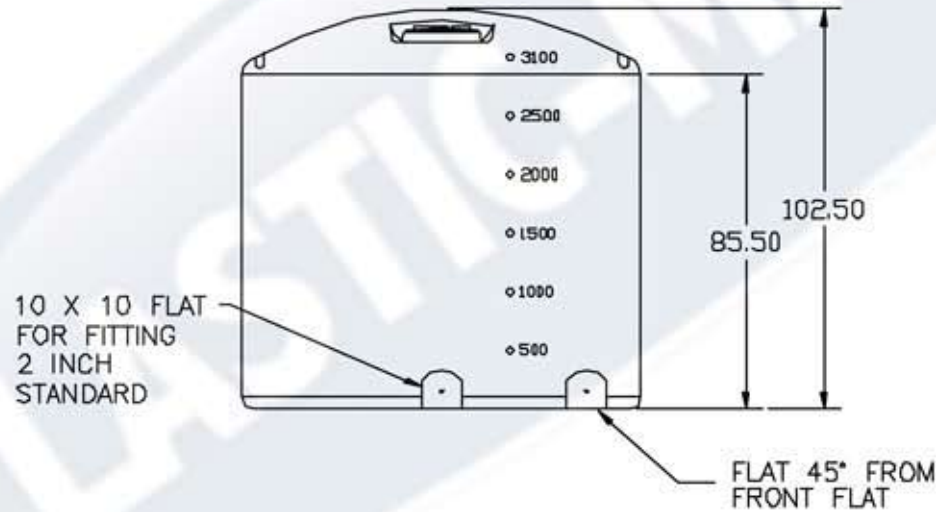
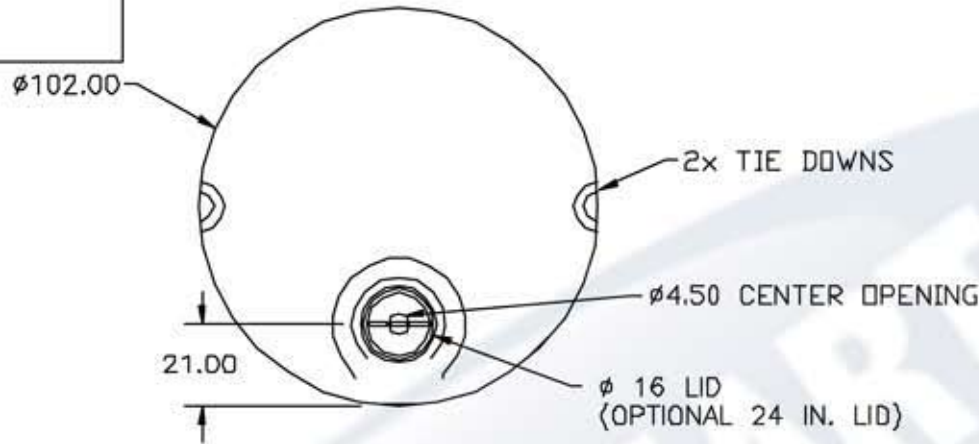

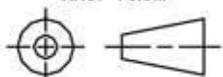


PROPERTY OF ACE ROTO-MOLD MFG., INC. INFORMATION FURNISHED HEREIN IS THE PROPERTY OF ACE ROTO-MOLD MFG., INC. AND SHALL NOT BE USED, DISCLOSED TO OTHERS, OR COPIED WITHOUT THE EXPRESSED WRITTEN CONSENT OF ACE ROTO-MOLD MFG., INC. ALL RIGHTS RESERVED.



			DRAWN / DATE DHJ / 1 / 16 / 03 APPRD. / DATE	MATERIAL / SHOT WEIGHT  550 LBS.	 866-310-2556
REV	DESCRIPTION	DATE	APPRD.	NOTES:	CLIENT / DESCRIPTION
ALL DIMENSIONS ARE IN DECIMAL INCHES. TOLERANCES UNLESS OTHERWISE SPECIFIED $\pm 1\% \text{ @ } 68^\circ \text{ F}$			THIRD ANGLE PROJECTION ANSI 14.5M 		3100 GALLON VERTICAL TANK SCALE NONE PART NO. VT3100-102