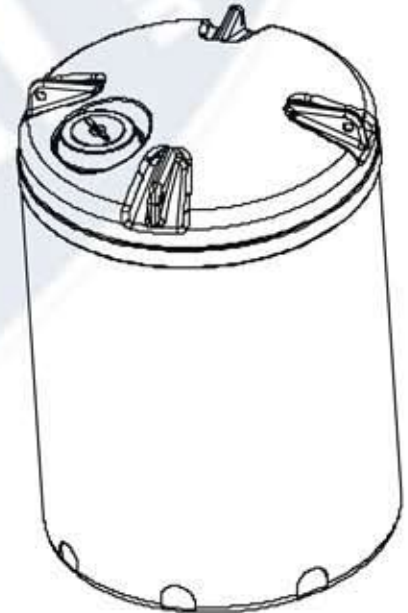
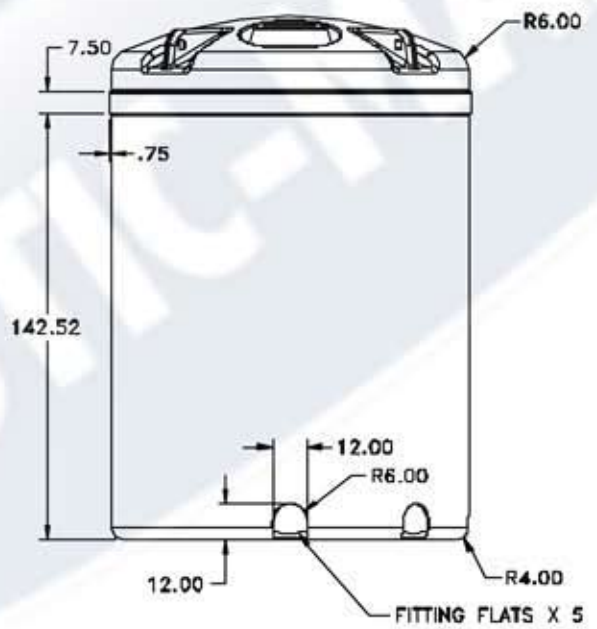
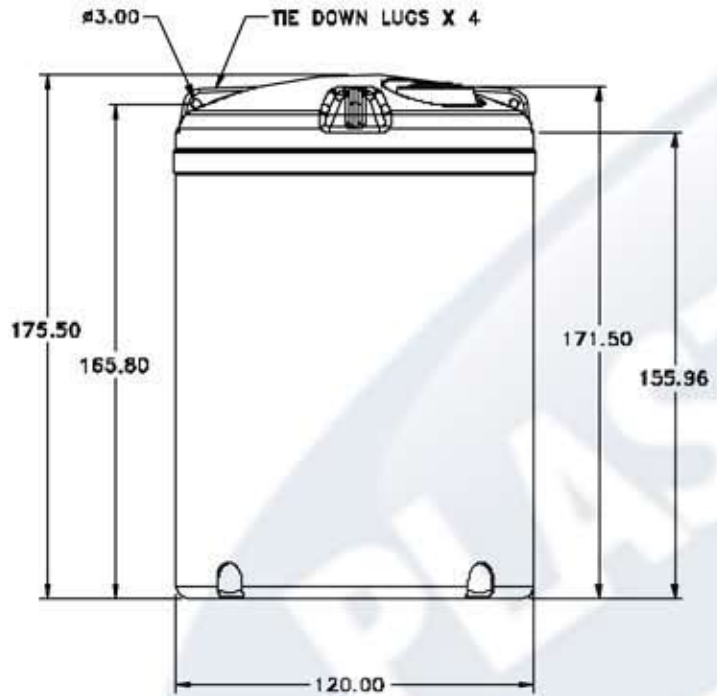
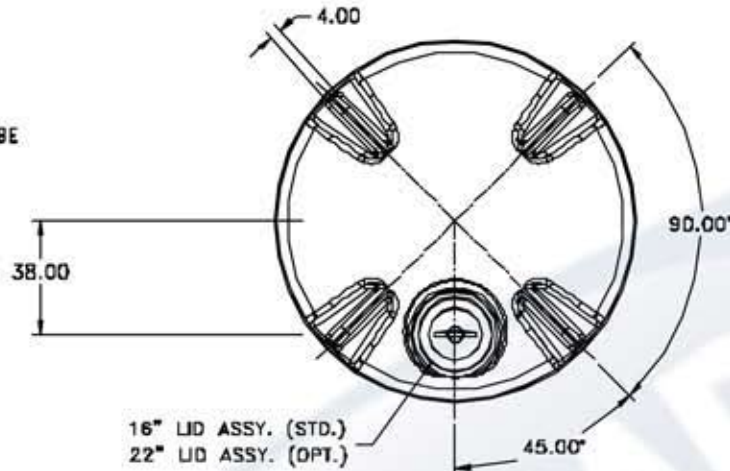
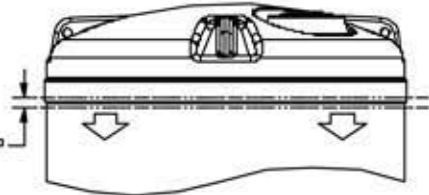


TANK MAY BE CONVERTED FOR A BOLT- ON TOP. CUT TANK AS SHOWN. TANK CAN THEN BE USED IN APPLICATIONS REQUIRING A REMOVEABLE TOP.



REV	DESCRIPTION	DATE	APPRD

ALL DIMENSIONS ARE IN DECIMAL INCHES
TOLERANCES UNLESS OTHERWISE SPECIFIED
± .5% @ 68° F

DRAWN / DATE REH/11/3/00	MATERIAL / SHOT WEIGHT M111 M134 U625 P938 1900
APPRD. / DATE REH/11/3/00	

THIRD ANGLE PROJECTION
ANSI 14.5M

NOTES:

PLASTIC-MART 866-310-2556	
CLIENT / DESCRIPTION ACE 7800 GALLON TANK	
SCALE N.S.	PART NO. VT07800-120