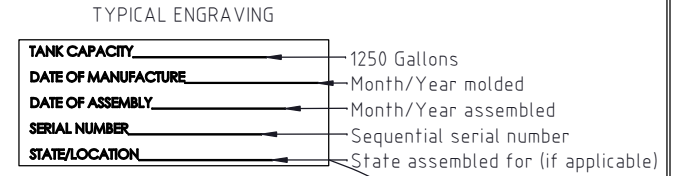
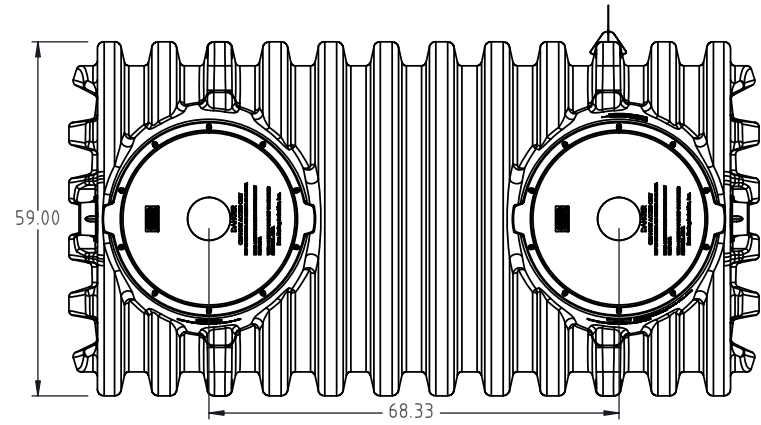
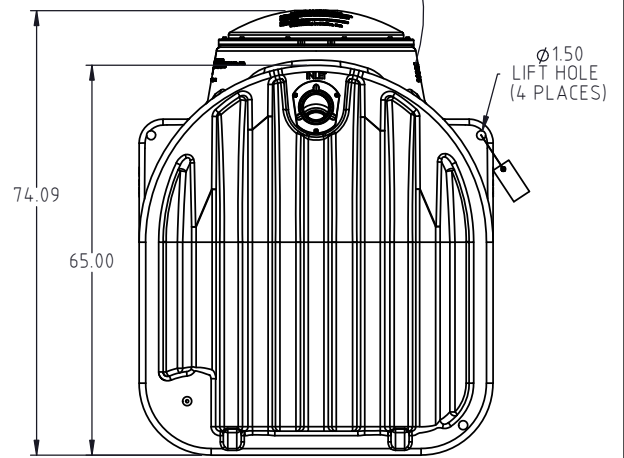
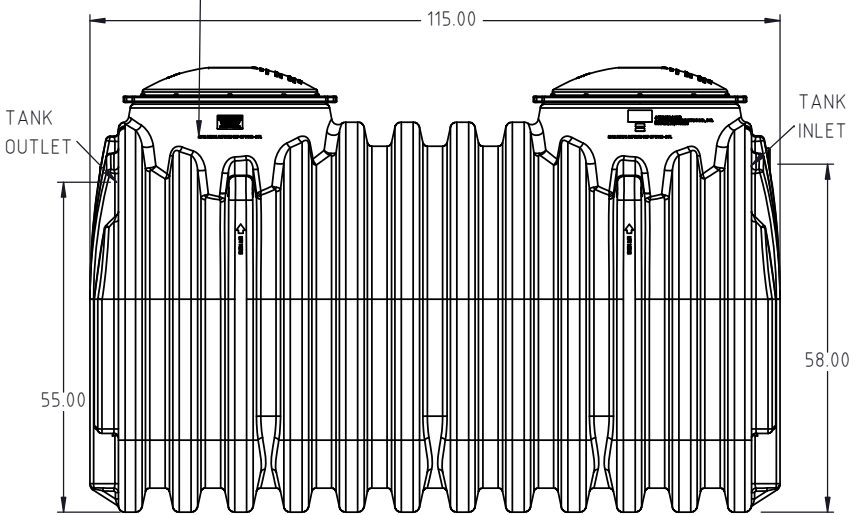
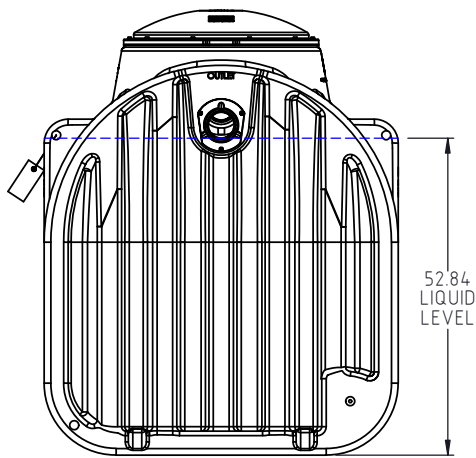


Copyright. All information furnished within this document, electronic file or design correspondence is the property of Den Hartog Industries, Inc. and shall not be used, disclosed to others or copied without the expressed written consent of Den Hartog Industries, Inc.

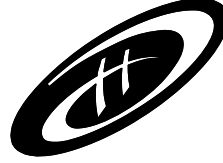


MAX. BURIAL DEPTH TO TOP OF TANK - 3 FT.



B	TANK/LID DESIGN/PRINT LAYOUT UPDATED. 570 WAS 412. 0.375 WAS 0.250.	ADH	11/26/2024	4672
A	ADD PUBLICATION REF.	NVE	9/30/2005	
REV.	DESCRIPTION	BY	DATE	CCN
ALL DIMENSIONS ARE IN DECIMAL INCHES TOLERANCES UNLESS OTHERWISE SPECIFIED		THIRD ANGLE PROJECTION ANSI 14.5M		
POLYETHYLENE	METAL DECIMAL ± .125" FRACTION ± 1/4" ANGLE ± 1°			
±1% @ 68° F				

DRAWN / DATE	MATERIAL
REH 3/15/2004	SEE COMPONENTS.
APPRD. / DATE	
REH 3/15/2004	
SHOT WEIGHT: 570.00 LBS.	NOTES: Ⓑ
SHIPPING WEIGHT: 620.00 LBS.	
FINISH:	NOMINAL WALL THICKNESS: 0.375



Den Hartog

INDUSTRIES, INC.

Ace Roto-Mold • Injection Molding • Blow Molding • Sowjoy
4010 HOSPERS DRIVE S. BOX 425, HOSPERS, IOWA 51238-0425

DESCRIPTION 1250 GAL. SINGLE COMPARTMENT SEPTIC TANK		
SCALE N.S.	PART NO. AST-1250-1	SHEET. 1 OF 1