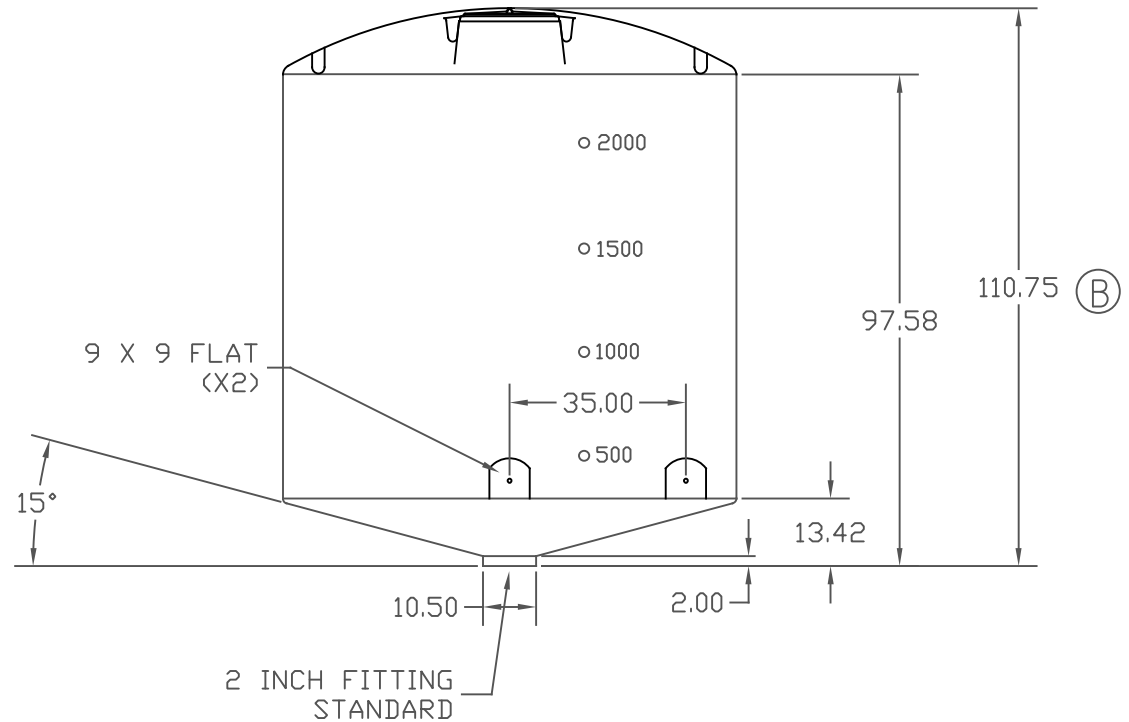
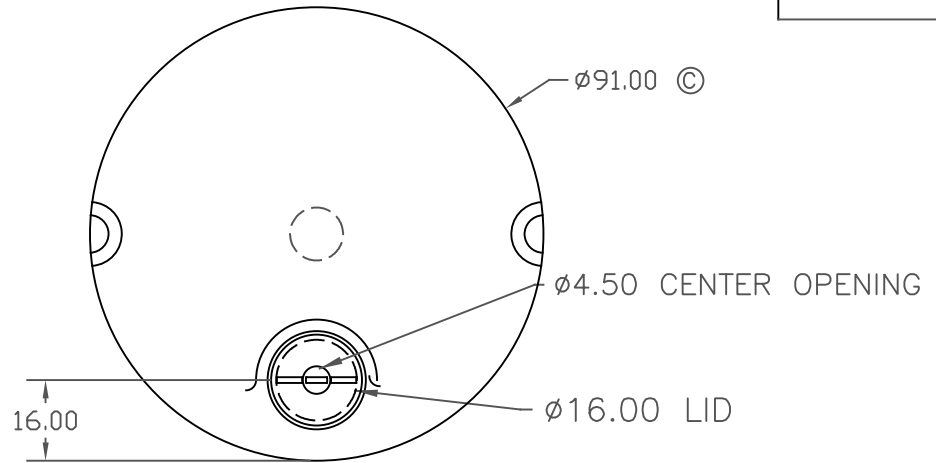


PROPRIETARY DATA

PROPERTY OF DEN HARTOG INDUSTRIES, INC. INFORMATION FURNISHED HEREIN IS THE PROPERTY OF DEN HARTOG INDUSTRIES, INC. AND SHALL NOT BE USED, DISCLOSED TO OTHERS, OR COPIED WITHOUT THE EXPRESSED WRITTEN CONSENT OF DEN HARTOG INDUSTRIES, INC. ALL RIGHTS RESERVED.

CB2500-90

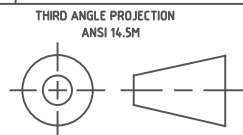


C	WAS 90	5/11/17	DHJ	3385	DRAWN / DATE	MATERIAL
B	HEIGHT WAS 108.75	6/28/06	NVE		DHJ 10/7/04	MDPE OR EQUIVALENT REFERENCE MATERIAL DATA SHEET FOR SPECIFIC PROPERTIES.
A	ISOLATED TANK FROM STAND	6/13/06	NVE		APPRD. / DATE	
REV	DESCRIPTION	DATE	APPRD		REH 4/18/07	
				CCN		

ACE ROTO-MOLD
A DIVISION OF DEN HARTOG INDUSTRIES, INC.
4010 HWY. 60 BLVD., BOX 425, HOSPERS, IOWA 51238

CLIENT / DESCRIPTION: 2500 GALLON ϕ 90" 15° CONE BOTTOM TANK

ALL DIMENSIONS ARE IN DECIMAL INCHES
TOLERANCES UNLESS OTHERWISE SPECIFIED
 \pm 1% @ 68° F



NOTES:
1. SHOT WEIGHT 435 LBS.

SCALE: N.S.

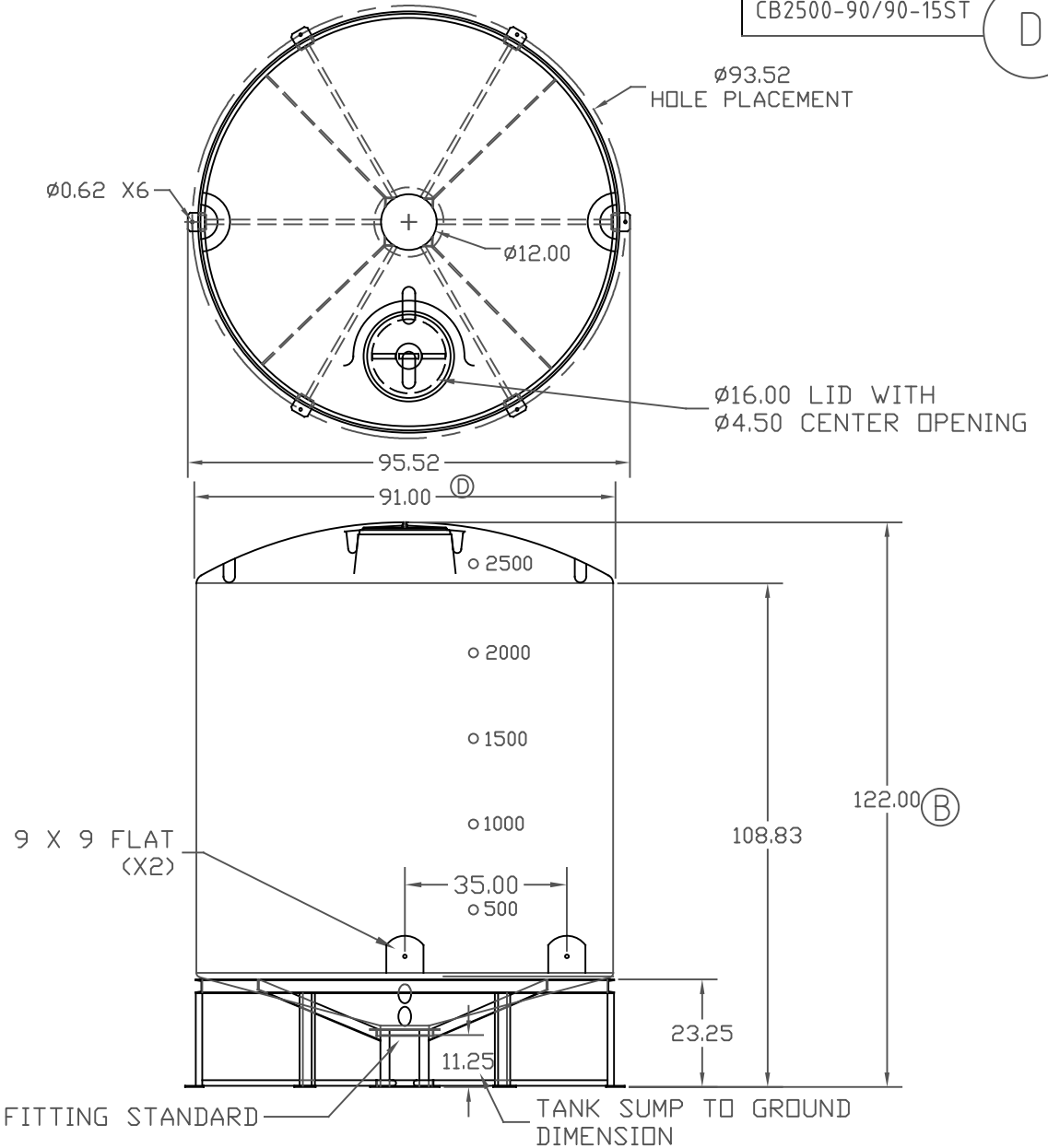
PART NO.: CB2500-90

PROPRIETARY DATA

PROPERTY OF DEN HARTOG INDUSTRIES, INC. INFORMATION FURNISHED HEREIN IS THE PROPERTY OF DEN HARTOG INDUSTRIES, INC. AND SHALL NOT BE USED, DISCLOSED TO OTHERS, OR COPIED WITHOUT THE EXPRESSED WRITTEN CONSENT OF DEN HARTOG INDUSTRIES, INC. ALL RIGHTS RESERVED.

CB2500-90/90-15ST

D



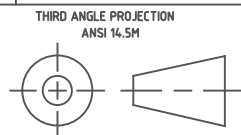
D	WAS 90	5/11/17	DHJ	3385
C	REMOVE TOL. 1% @ 68° F	3/9/07	GWC	
B	HEIGHT WAS 121.00	6/29/06	NVE	
A	CHANGED PN TO CB2500-90/90-15ST	6/13/06	NVE	
REV	DESCRIPTION	DATE	APPRD	CCN

DRAWN / DATE DHJ 10/7/04	MATERIAL TANK: HDPE OR EQUIVALENT STAND: MILD STEEL
APPRD. / DATE REH 4/18/07	

ACE ROTO-MOLD
A DIVISION OF DEN HARTOG INDUSTRIES, INC.
4010 HWY. 60 BLVD., BOX 425, HOSPERS, IOWA 51238

CLIENT / DESCRIPTION
2500 GALLON ϕ 90" 15° CONE BOTTOM TANK AND STAND

ALL DIMENSIONS ARE IN DECIMAL INCHES
TOLERANCES UNLESS OTHERWISE SPECIFIED



NOTES:
1. TANK WEIGHT 435 LBS.
2. STAND WEIGHT 380 LBS.

SCALE
N.S.

PART NO.
CB2500-90/90-15ST