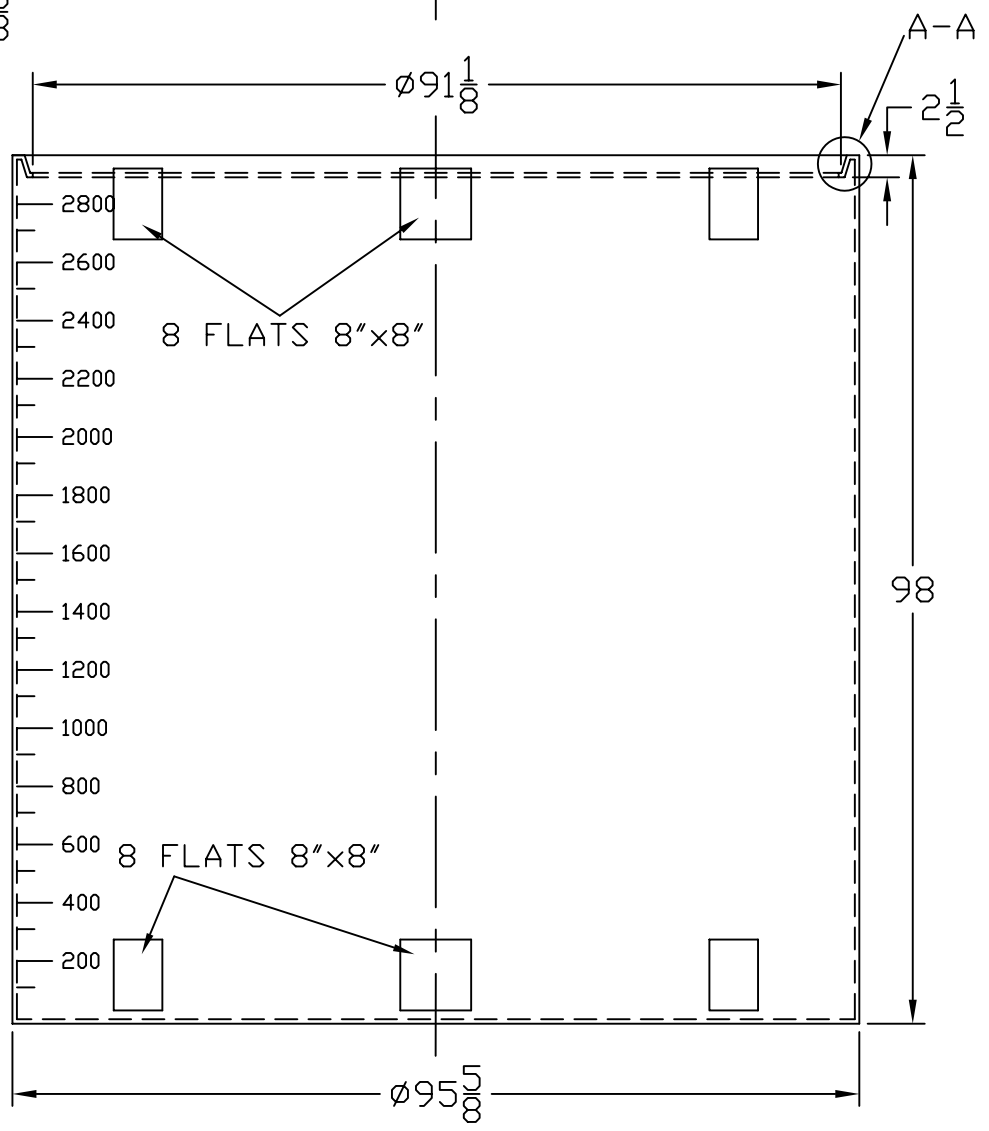
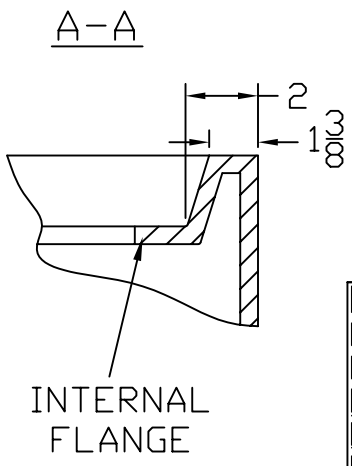
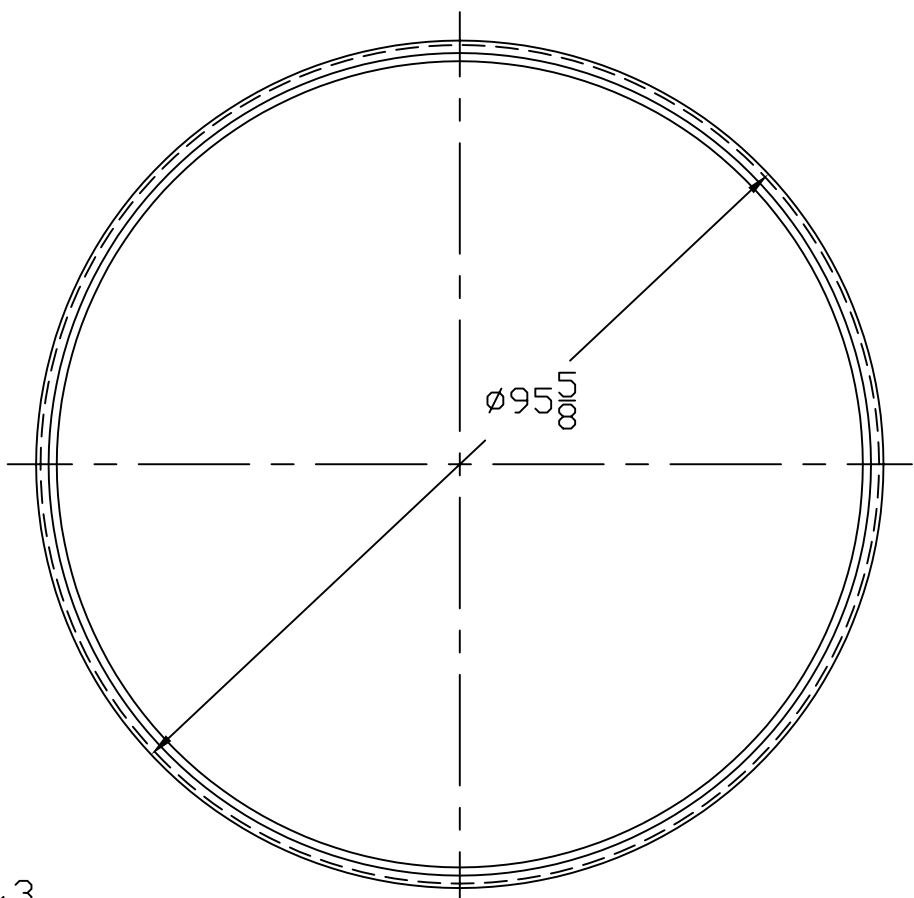


THIS DRAWING & DESIGN IS THE PROPERTY OF CHEM-TAINER INDUSTRIES INC. IT MAY NOT BE USED FOR ANY PURPOSE OTHER THAN BY THE OWNER. CHEM-TAINER DOES NOT AUTHORIZE THE REPRODUCTION OR CONVEYANCE OF ANY INFORMATION CONTAINED HEREIN.

ALL DIMENSIONS SHOWN ARE OUTSIDE PART DIMENSIONS IN INCHES, AND VARY BY THE STANDARD ROTATIONAL MOLDING TOLERANCE OF ±2%.



| | | |
|---|-----------------------|--------------------|
| Rev. 3 | Date 02/26/01 | File Name TK9597-A |
| CHEM-TAINER | | |
| 361 Neptune Ave. W. Babylon, NY 11704 (631) 661-8300 Fax: (631) 661-8209 | | |
| Industries Inc. | Date 03/01/00 | Mold Location TN |
| Drawn By: IIA | Cust. Rep. | |
| TITLE 2975 GAL. CYLINDRICAL CONTAINMENT BASIN | | |
| Part # TC95970A | Dwg. # TC95970A-TN | |