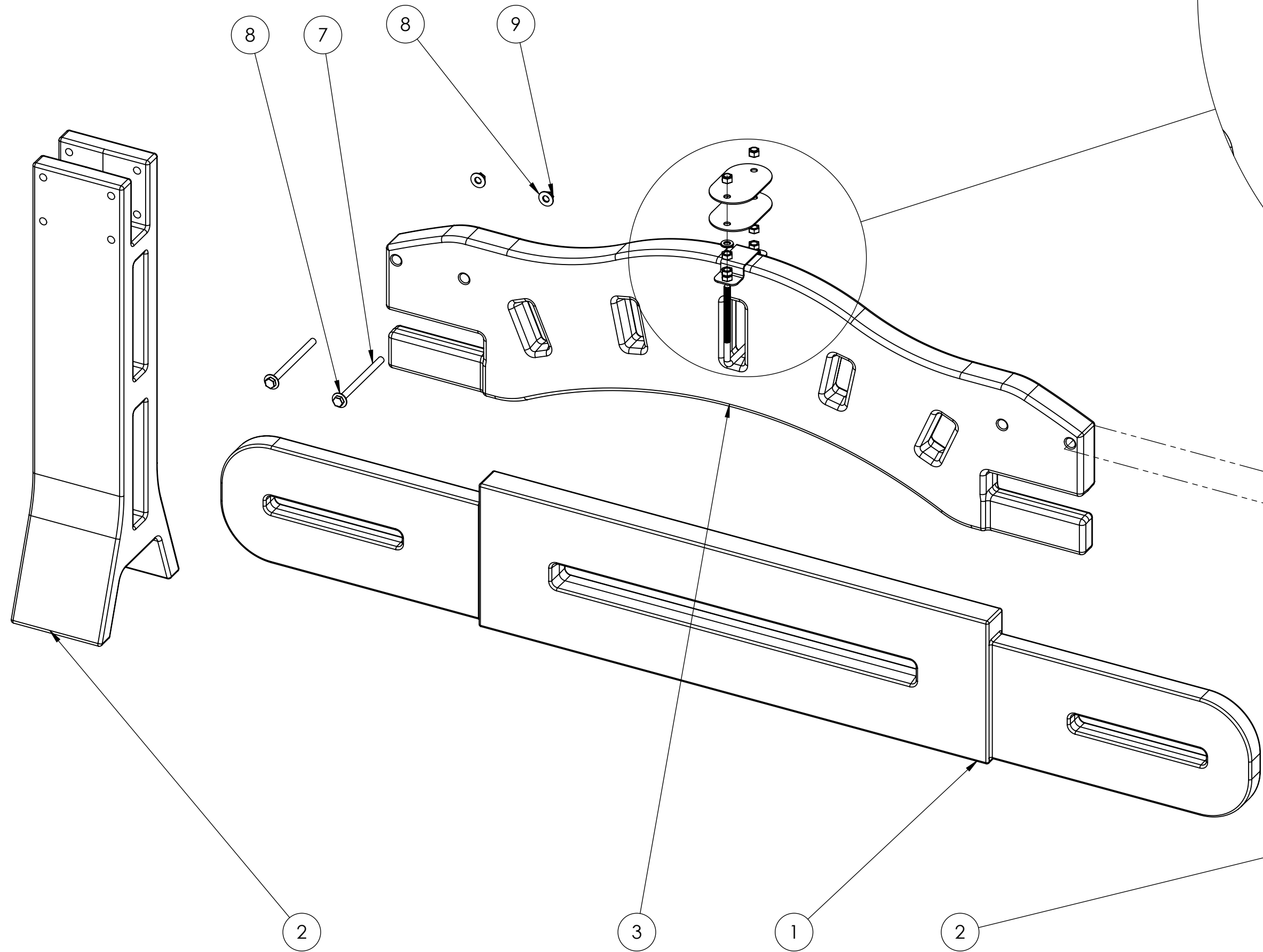
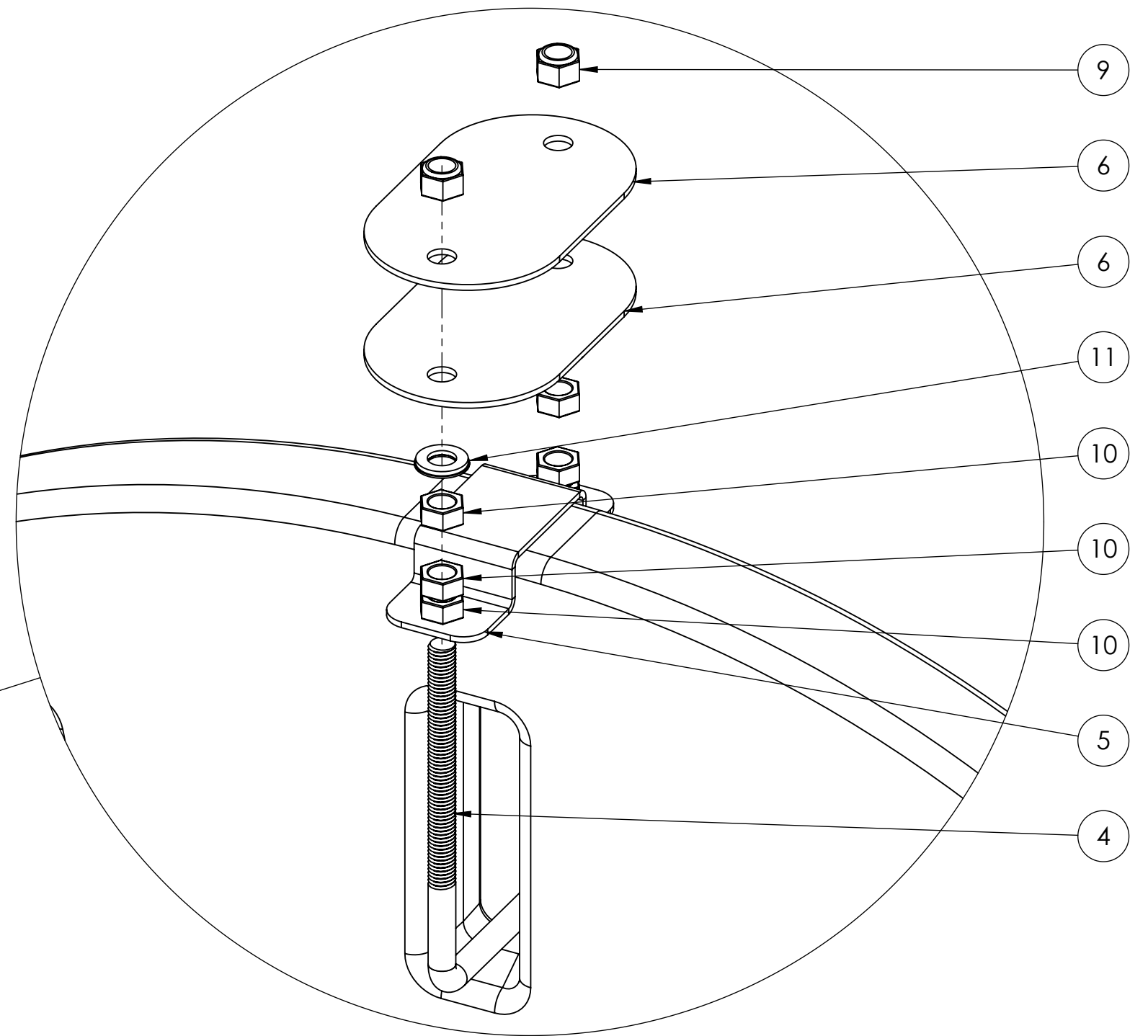
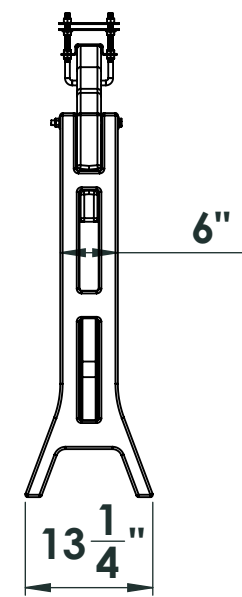
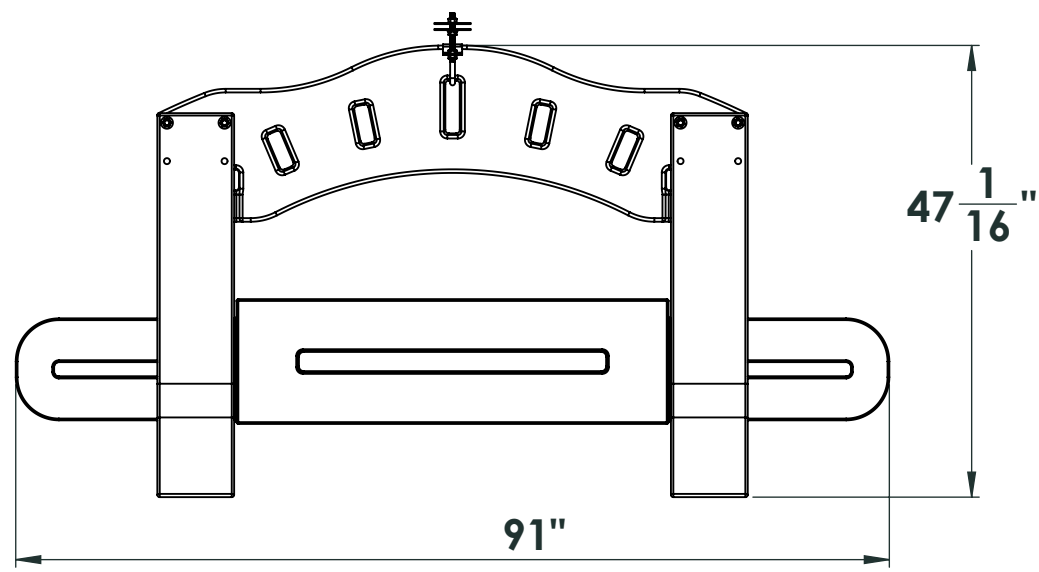
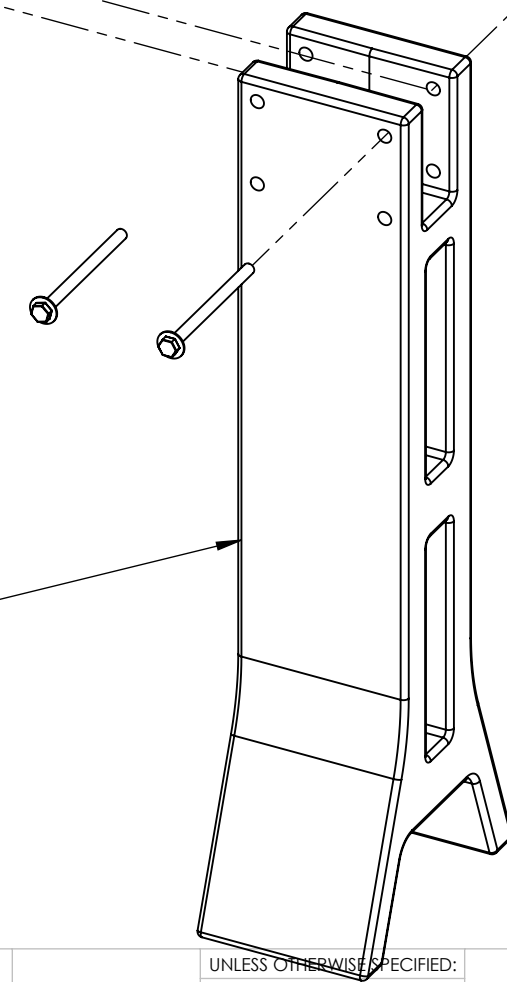


ITEM NO.	QTY.	PART #	Description
1	1	AMBSLAT	LARGE BAFFLE SLAT
2	2	AMBSIDE	LARGE BAFFLE SIDE
3	1	AMBLTOP28	LARGE BAFFLE TOP 2800
4	1	AVBSU06	1/2 x 7" U bolt-5 thread
5	1	AVBSBL01	STAINLESS BAFFLE PART LASERED AND FORMED
6	2	AVBSBL02	STAINLESS BAFFLE PART LASERED
7	4	CHBS052923	1/2-13 X 7 SS HEX HEAD BOLT 316
8	8	CHWSF053	1/2 SS flat washer
9	6	CHNSN0533	1/2 Nylock Nut 304 SS
10	6	CHBS052923	1/2-13 X 7 SS HEX HEAD BOLT 316
11	2	CPG002	1/2 BONDED SEALING RUBBER/316 STAINLESS



DETAIL A  
SCALE 1:2.5



**PROPRIETARY AND CONFIDENTIAL**  
THE INFORMATION CONTAINED IN THIS DRAWING IS THE SOLE PROPERTY OF ENDURAPLAS LLC. ANY REPRODUCTION IN PART OR AS A WHOLE WITHOUT THE WRITTEN PERMISSION OF ENDURAPLAS LLC IS PROHIBITED.

UNLESS OTHERWISE SPECIFIED:		NAME	DATE	<b>ENDURAPLAS LLC</b>
DIMENSIONS ARE IN INCHES		DRAWN	DNS	
TOLERANCES:		CHECKED		<b>AVB2800</b>
FRACTIONAL ±		ENG APPR.		SIZE DWG. NO.
ANGULAR: MACH ± BEND ±		MFG APPR.		<b>C</b>
TWO PLACE DECIMAL ±		Q.A.		REV
THREE PLACE DECIMAL ±		COMMENTS:		<b>1</b>
INTERPRET GEOMETRIC TOLERANCING PER:	MATERIAL			SCALE: 1:20 WEIGHT:
FINISH	DO NOT SCALE DRAWING			SHEET 1 OF 1
NEXT ASSY	USED ON			
APPLICATION				