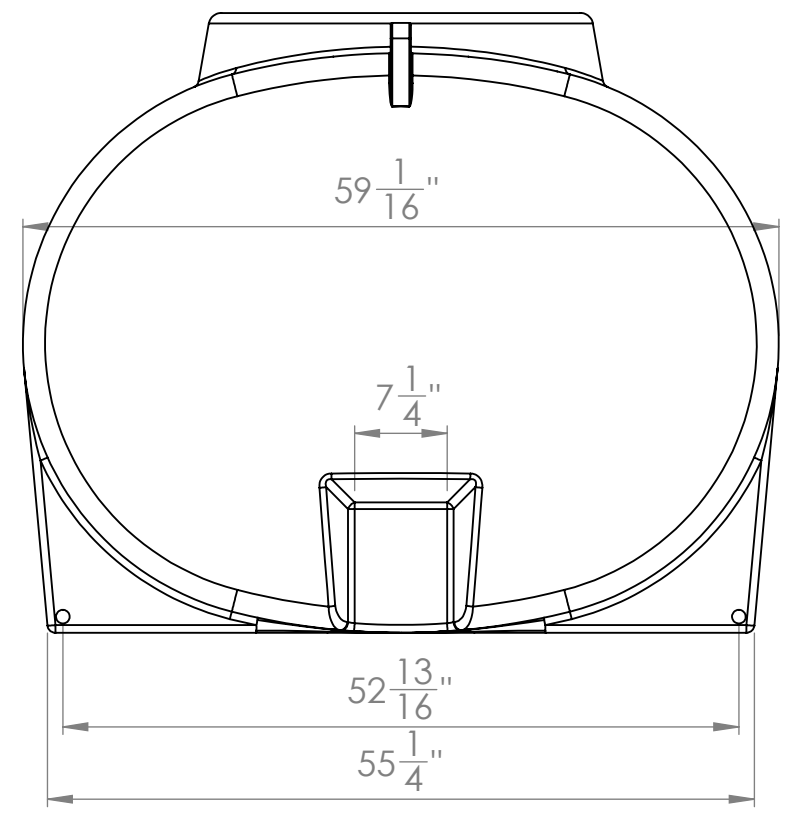


8 7 6 5 4 3 2 1

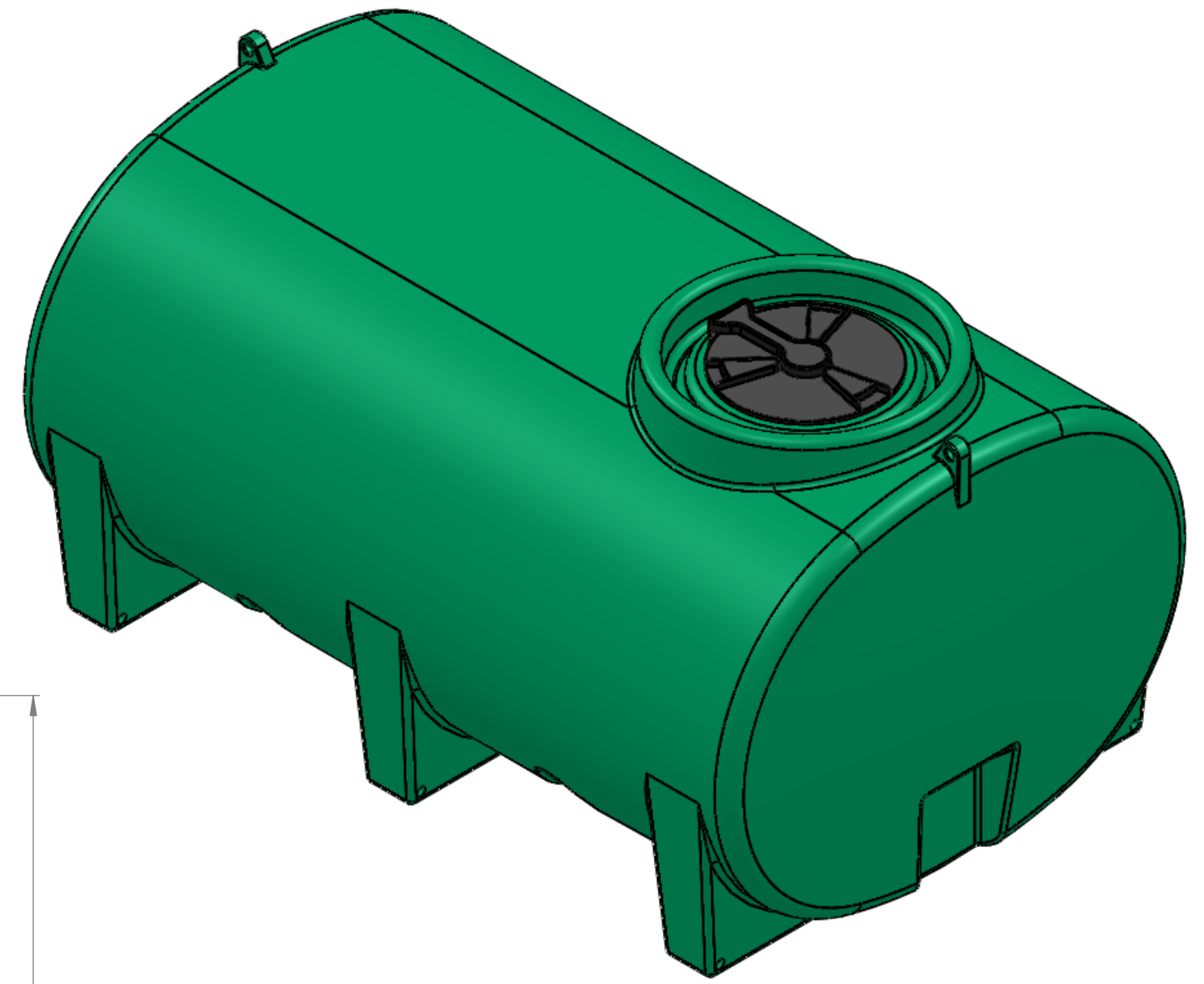
D



D

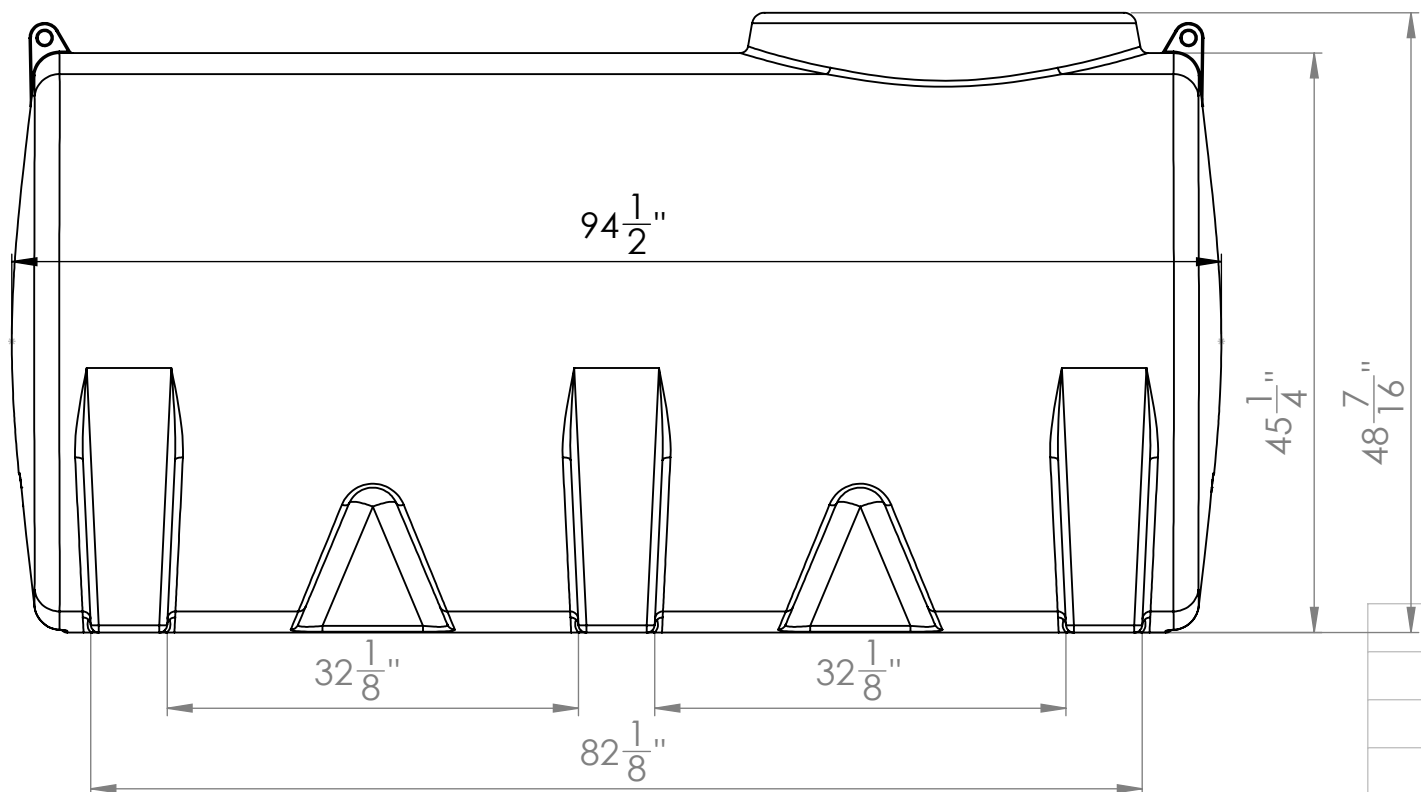
C

C



B

B



A

A

PROPRIETARY AND CONFIDENTIAL
 THE INFORMATION CONTAINED IN THIS DRAWING IS THE SOLE PROPERTY OF Agrimaxx, Enduraplas. ANY REPRODUCTION IN PART OR AS A WHOLE WITHOUT THE WRITTEN PERMISSION OF Agrimaxx, Enduraplas, IS PROHIBITED.

		UNLESS OTHERWISE SPECIFIED:		NAME	DATE	<h2 style="text-align: center;">Enduraplas</h2> <h1 style="text-align: center;">ST800FS</h1>		
		DIMENSIONS ARE IN INCHES		DRAWN	DNS			9/9/11
		TOLERANCES:		CHECKED				
		FRACTIONAL ±		ENG APPR.				
		ANGULAR: MACH ± BEND ±		MFG APPR.				
		TWO PLACE DECIMAL ±		Q.A.				
		THREE PLACE DECIMAL ±		COMMENTS:				
		INTERPRET GEOMETRIC TOLERANCING PER:				SIZE	DWG. NO.	REV
		MATERIAL				B		1
NEXT ASSY	USED ON	FINISH				SCALE: 1:20		WEIGHT:
APPLICATION		DO NOT SCALE DRAWING				SHEET 1 OF 1		

8 7 6 5 4 3 2 1