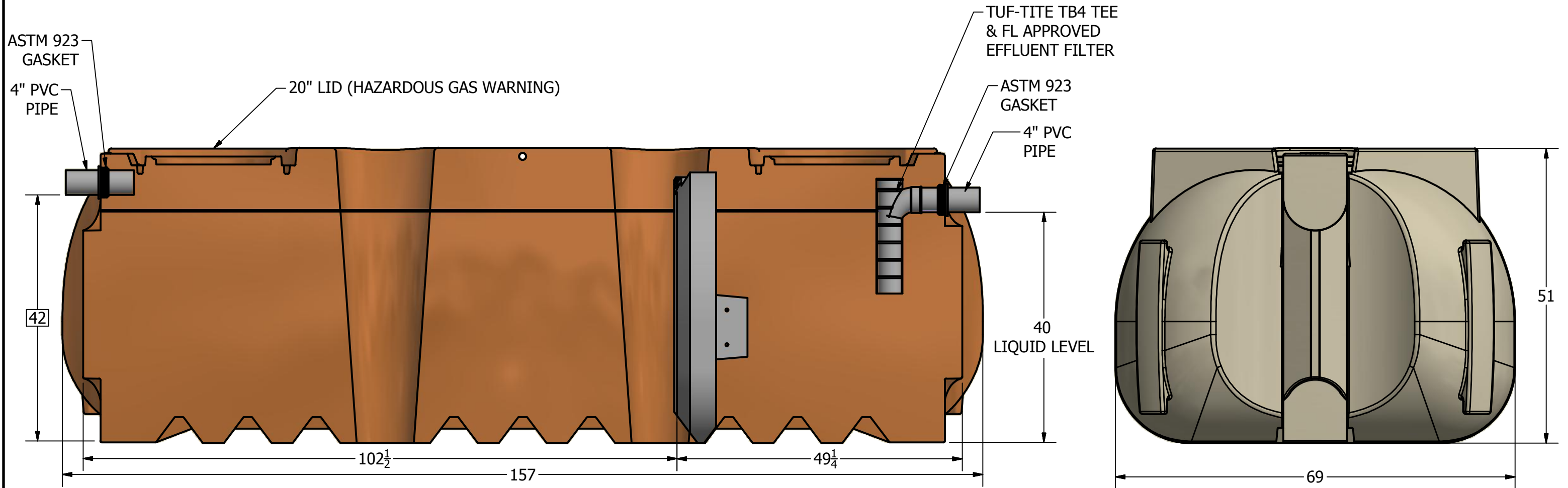

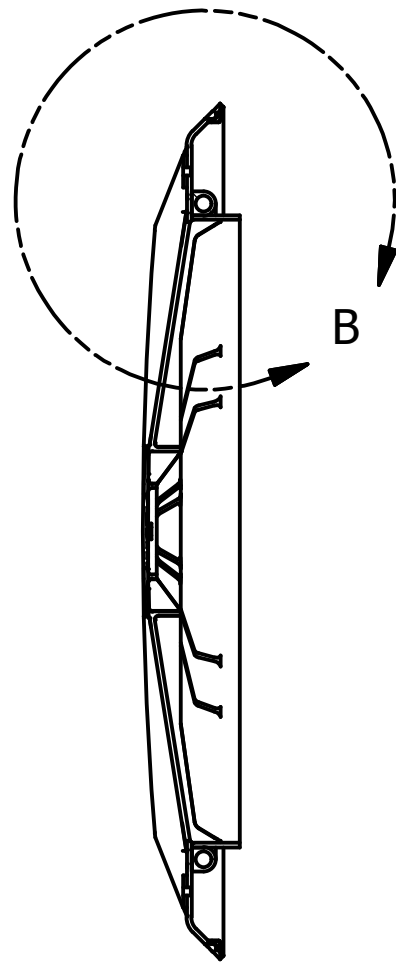
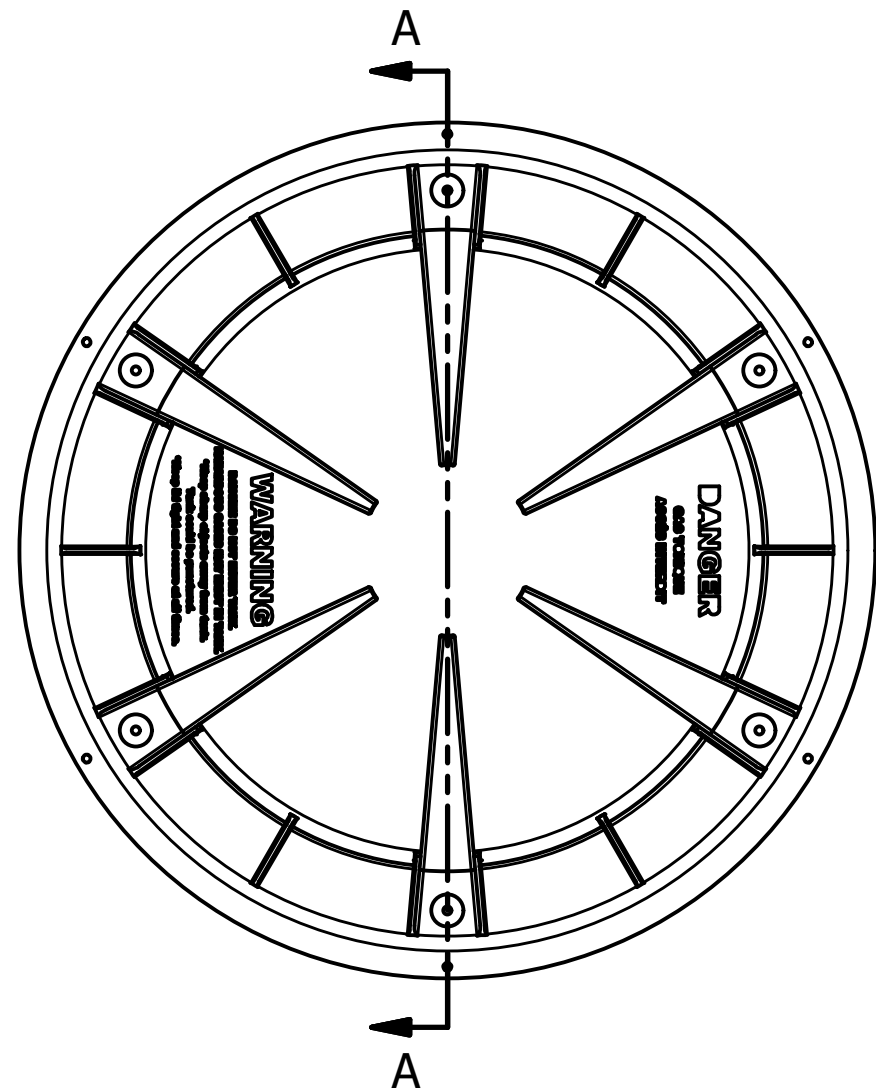


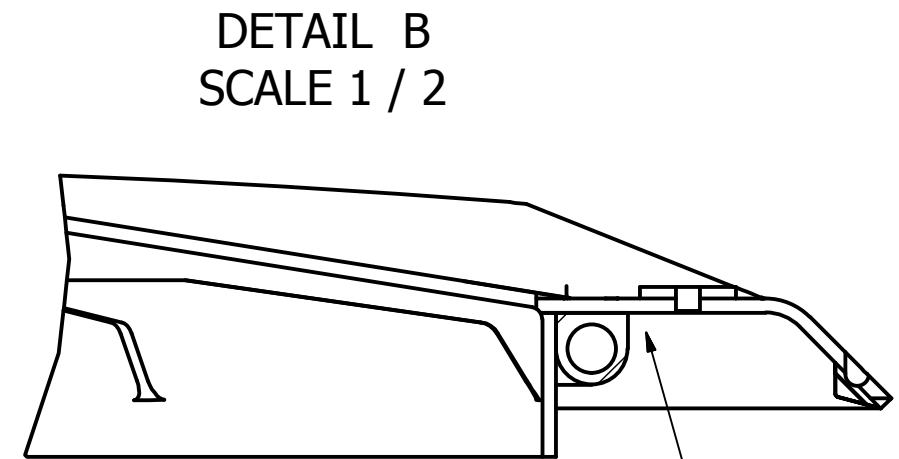
REVISION HISTORY				
ZONE	REV	DESCRIPTION	DATE	APPROVED



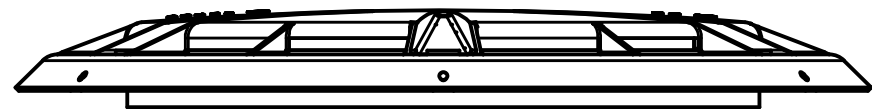
DRAWN Todd Bolzer	7/28/2015			
CHECKED		NORWESCO, INC., ST. BONIFACIUS, MN		
QA		TITLE		
MFG		1500 GALLON LOW PROFILE SEPTIC TANK		
APPROVED		SIZE B	DWG NO 43531	REV
		SCALE: 1/16	SHEET 1 OF 2	



SECTION A-A
SCALE 1 / 6



INSTALL WITH FLAT PORTION
OF GASKET ATTACHED TO THE HORIZONTAL
FLAT SURFACE OF THE LID AS SHOWN



DRAWN	Todd Bolzer	7/28/2015	NORWESCO, INC., ST. BONIFACIUS, MN	
CHECKED			TITLE	
QA			1500 GALLON LOW PROFILE SEPTIC TANK	
MFG				
APPROVED				
			SIZE	DWG NO
			B	43531
			SCALE: 1/16	REV
				SHEET 2 OF 2