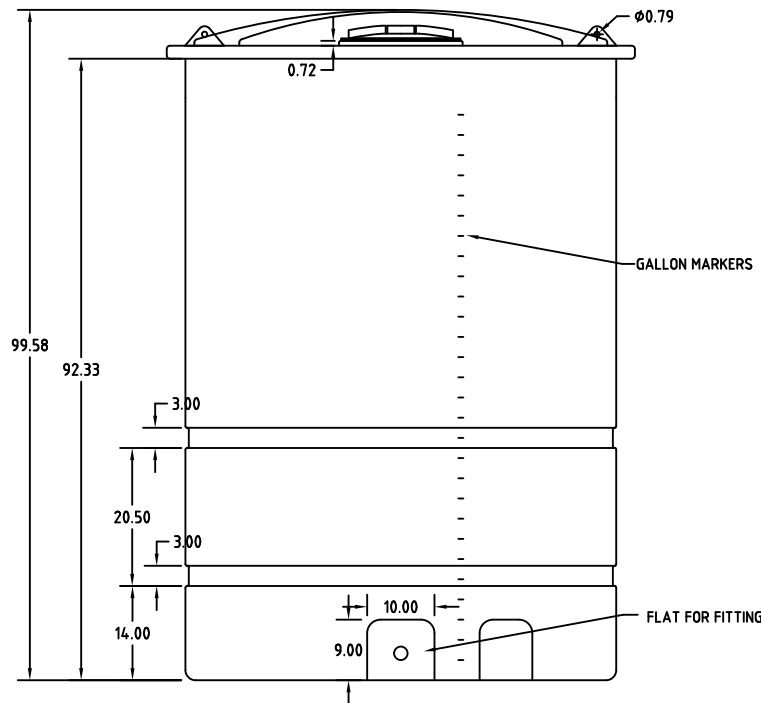
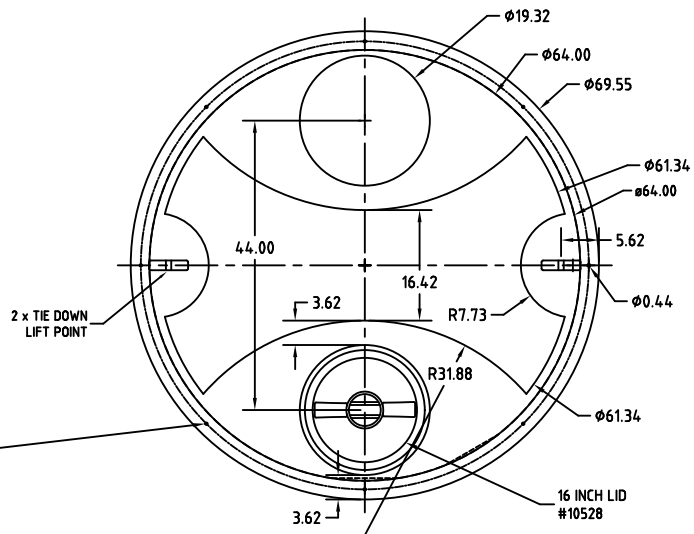
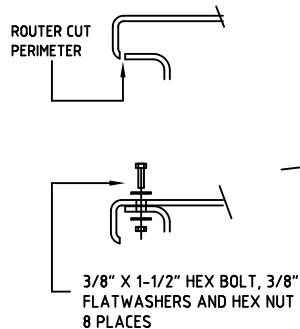


Copyright. All information furnished within this document, electronic file or design correspondence is the property of Den Hartog Industries, Inc. and shall not be used, disclosed to others or copied without the expressed written consent of Den Hartog Industries, Inc.

LID TRIM AND FASTENING DETAIL



REV	DESCRIPTION	BY / DATE	CCN
ALL DIMENSIONS ARE IN DECIMAL INCHES TOLERANCES UNLESS OTHERWISE SPECIFIED		THIRD ANGLE PROJECTION ANSI 14.5M	
POLYETHYLENE ±1% @ 68° F		METAL DECIMAL ± .125" FRACTION ± 1/4" ANGLE ± 1°	

DRAWN / DATE DHJ 2/2/12
APPRD. / DATE REH 3/6/12
SHOT WEIGHT: 275 LBS.
SHIPPING WEIGHT: 277 LBS.
FINISH:

MATERIAL 10420
NOTES: 1. .31 WALL

# Den Hartog

INDUSTRIES, INC.

Ace Roto-Mold Injection Molding Blow Molding SawJoy  
4010 HOSPERS DRIVE S. BOX 425, HOSPERS, IOWA 51238-0425

DESCRIPTION 1210 GALLON OPEN TOP WITH BOLT ON TOP	
SCALE N.S.	PART NO. OP1210-64