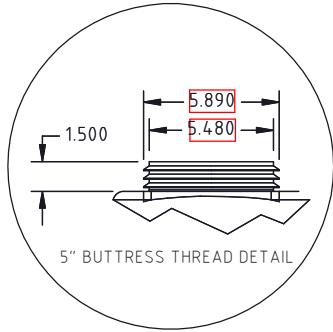
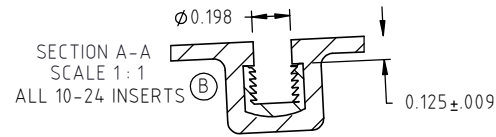


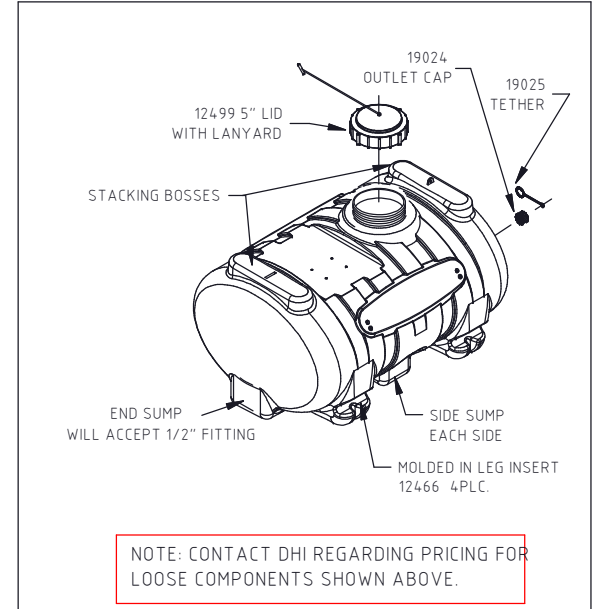
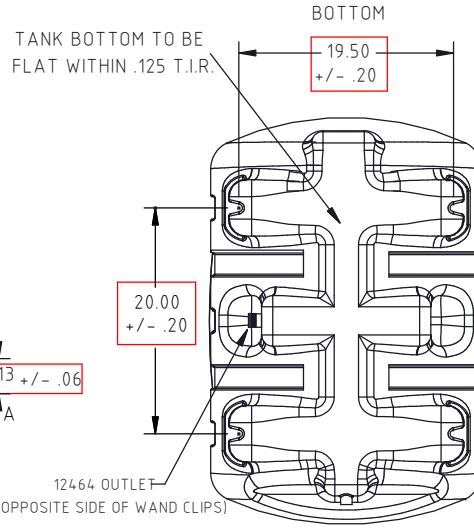
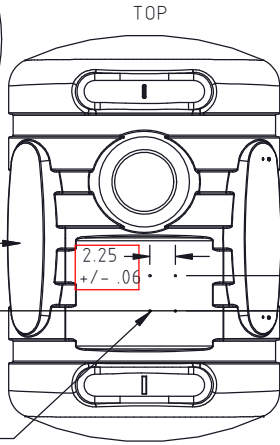
Copyright. All information furnished within this document, electronic file or design correspondence is the property of Den Hartog Industries, Inc. and shall not be used, disclosed to others or copied without the expressed written consent of Den Hartog Industries, Inc.

EXCEPT AS NOTED TOLERANCES ARE +/- 2% OF DIMENSION NOTED

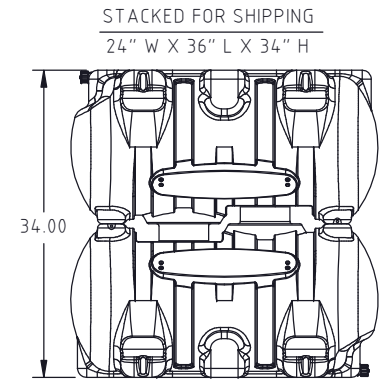
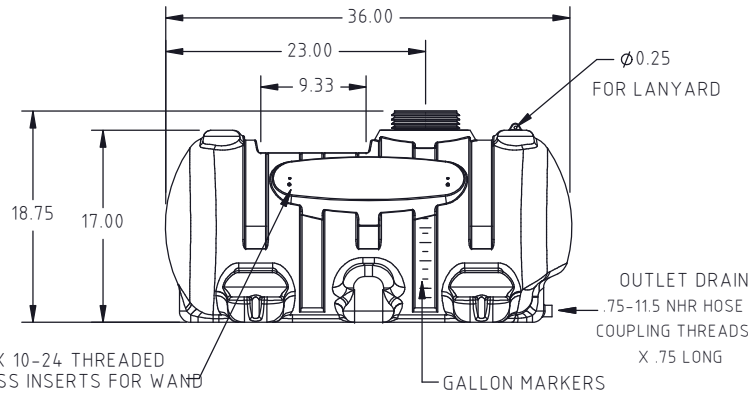
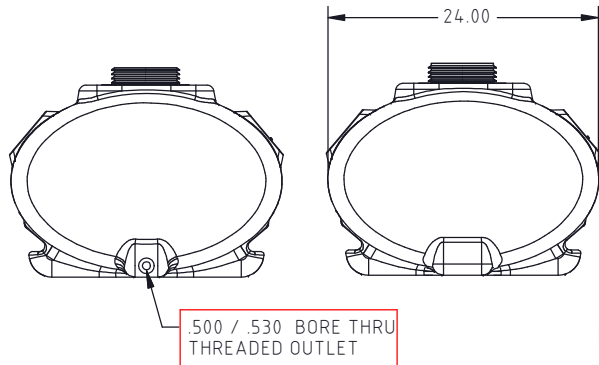


LOGO APPLICATION AREA EACH SIDE

4 X 10-24 THREADED BRASS INSERTS FOR PUMP DHI P.N. 19001



NOTE: CONTACT DHI REGARDING PRICING FOR LOOSE COMPONENTS SHOWN ABOVE.



B	INSERT DETAIL ADDED, DRAWING TEMPLATE UPDATED	ADH 4/23/13	2605	DRAWN / DATE REH/3/22/07	MATERIAL EQUISTAR 5704
A	WAS .095	ADH 11/15/07	1520	APPRD. / DATE REH/3/22/07	
REV	DESCRIPTION	BY / DATE	CCN		
ALL DIMENSIONS ARE IN DECIMAL INCHES TOLERANCES UNLESS OTHERWISE SPECIFIED		THIRD ANGLE PROJECTION ANSI 14.5M		SHOT WEIGHT: 15.50 LB.	NOTES: 1.) WHITE OR YELLOW COLOR 2.) MIN. WALL = .080
POLYETHYLENE		METAL DECIMAL ± .125" FRACTION ± 1/4" ANGLE ± 1°		SHIPPING WEIGHT: 17.50 LB.	
±1% @ 68°F				FINISH:	



Den Hartog
INDUSTRIES, INC.

Ace Roto-Mold Injection Molding Blow Molding Sowjoy

4010 HOSPERS DRIVE S. BOX 425, HOSPERS, IOWA 51238-0425

DESCRIPTION	40 GALLON B/M APPLICATOR TANK
SCALE	N.S.
PART NO.	TANK ONLY - WHITE SB00040SW TANK ONLY - YELLOW SB00040SY