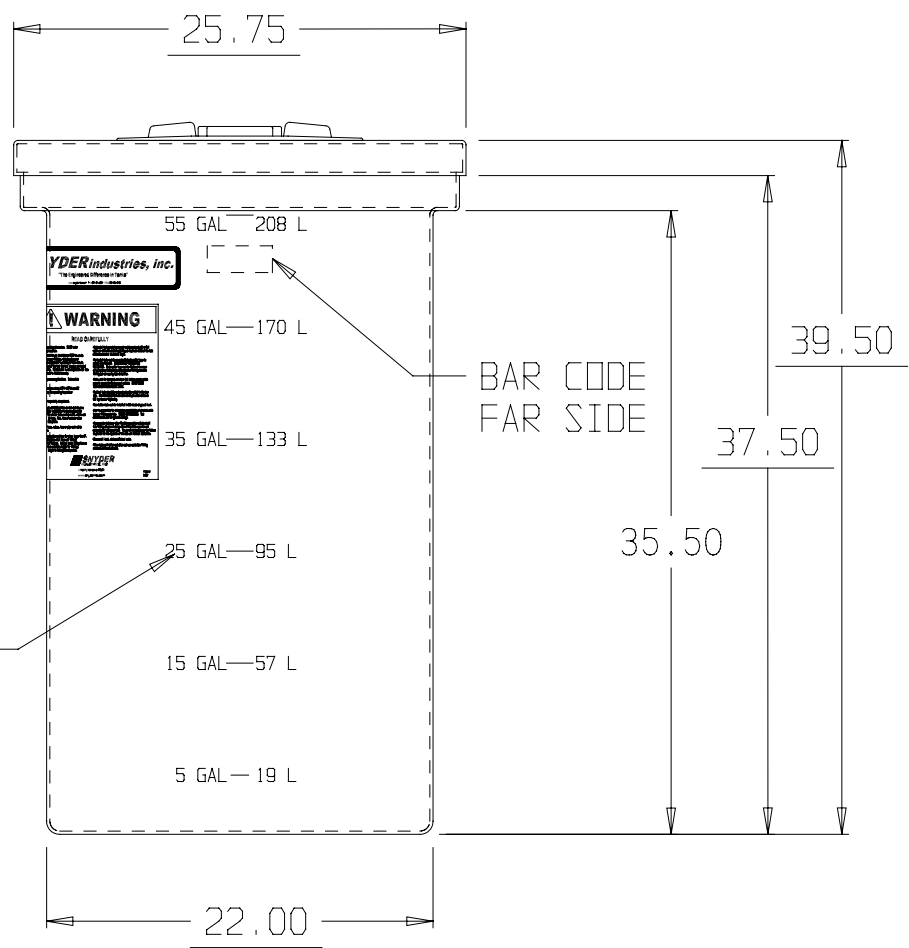


MOLDED IN GALLONAGE MARKER



* BASE FITTINGS TO BE LEFT INSTALLED AT TIME OF SHIPMENT PER SII PROCEDURE
 * Consult Snyder's Guidelines for Use and Installation prior to delivery.
 Available on-line at www.snydernet.com

(all dimensions in inches)
 PART # TANK: 5680000N--02L

60 GALLON VCT X 22 VERTICAL FLAT TOP TANK

REF#: 00000 03/25/04