

STANDARD ANCHOR IS SRS-1W/375 UNLESS NOTED OTHERWISE

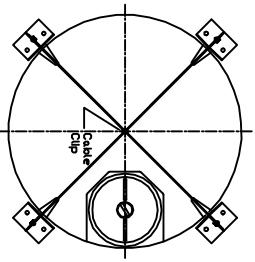
TABLE 1

CLIP SIZE (INCHES)	ROPE SIZE (INCHES)	MINIMUM NUMBER OF CLIPS REQUIRED	AMT. OF ROPE TURN BACK (INCHES)	*TORQUE IN Ft. Lbs.
1/4	1/4	2	4-3/4	15
3/8	3/8	2	6-1/2	45
1/2	1/2	2	11-1/2	65
5/8	5/8	2	12	95

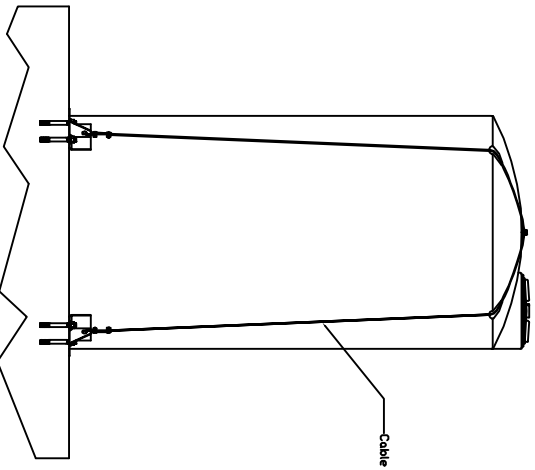
* NOTE: THE TIGHTENING TORQUE VALUES SHOWN ARE BASED UPON THE THREADS BEING CLEAN, DRY, AND FREE OF LUBRICATION.

4 ANCHORS SHOWN AS TYPICAL INSTALLATION. MORE ANCHORS MAY BE REQUIRED.

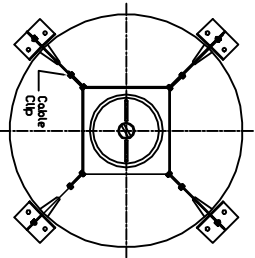
9 CABLE CLIPS REQUIRED



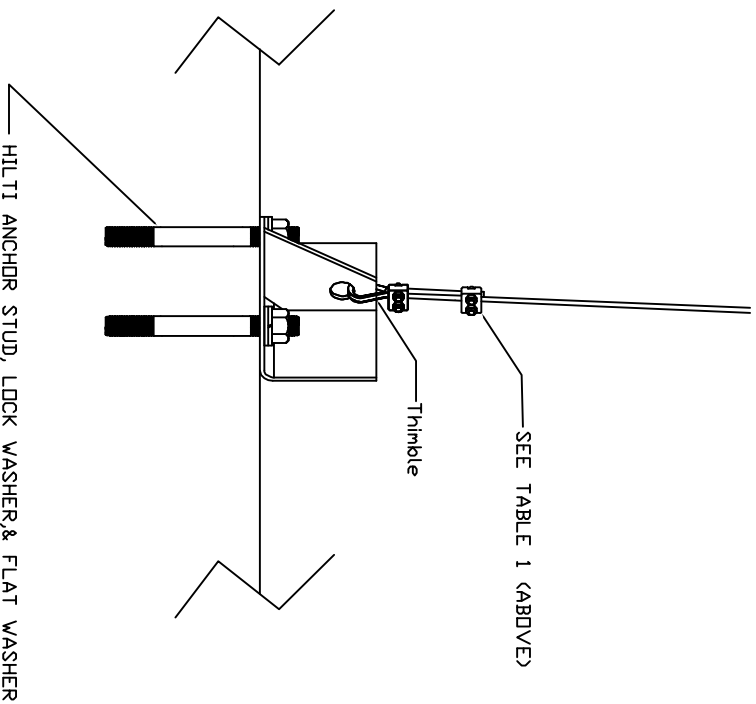
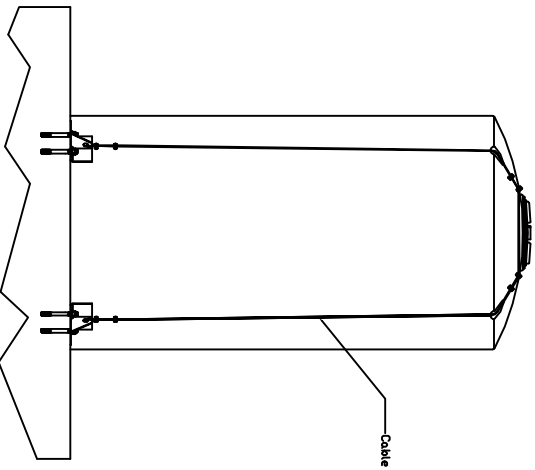
OFFSET MANWAY SHOWN



12 CABLE CLIPS REQUIRED



CENTER MANWAY SHOWN



Rev.	Date	File Name
361 Neptune Ave. N. Babylon, NY 11704 (631) 661-8300 Fax: (631) 661-8209		
Industries Inc. TITLE: WIND RESTRAINT SYSTEM RECOMMENDATIONS FOR 100 - 10,000 G. VERTICAL STORAGE TANKS		
Part #	Dwg. #	
	TC10010000TK	
Date	Scale	
01/26/16	NONE	
Drawn By:	Cust. Rep.	
C.S.		