

Applications

The HQ series pumps are designed for water supply and pressure boosting in residential, commercial and light industrial applications where low or inadequate water pressure exists. It is suitable for boosting pressure from underground or surface water supplies.

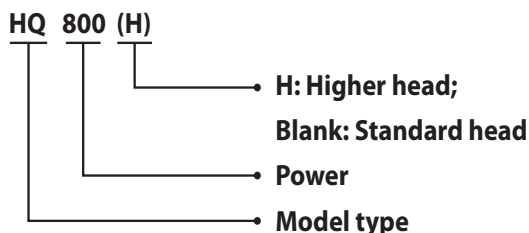
Suitable liquids

Potable water or other clean and non-corrosive liquids.

Operating conditions:

1. Ambient temperature: Max. +104°F (40°C)
2. Liquid temperature: + 39°F(4°C) ~ +104°F (40°C)
3. System pressure : Max. 120 PSI
4. Relative humidity: Max. 85% (RH)

Product code



Features

1. The HQ is a complete, all-in-one unit, consisting of pump, motor, pressure tank, and electronic controller. The built-in electronic controller ensures that the pump starts automatically when water is consumed and operates continuously until water is not required. It will also protect the pump when it is in faulty conditions.
2. Compact design and quiet operation make the HQ series suitable for many applications.
3. Impellers are constructed of stainless steel for greater durability.
4. The built-in indicator lights on top panel will display the pump's working condition and diagnosis.
5. Provide 2 different head designs for 1HP model:
 - HQ800 with standard head is ideal for boosting city water so that PRV is no more required.
 - HQ800H with higher head is ideal for tank system that require higher boost pressure.
6. The built-in protective functions will shut off the pump and automatically reset in case of:
 - Dry run
 - Excessive temperature
 - Rapid cycling
 - Dead head
7. Offer the new designed cast aluminum motor for higher efficiency and lower amperage draw.

Materials

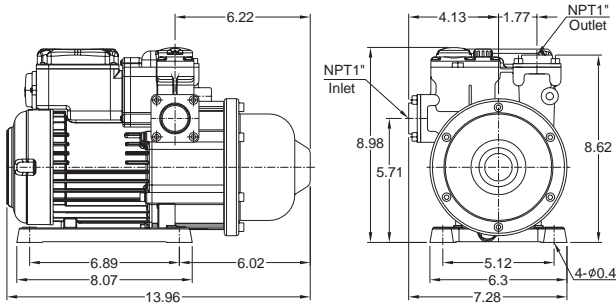
Part name	HQ200 / 400 / 800 / 800H
Pump casing	Glass filled noryl
Filling plug	Glass filled nylon
Outlet & Inlet	SUS 304
Intermediate chamber	SUS 304
Impeller	SUS 304
Mechanical seal	Ceramic+Carbon+NBR
Shaft	SUS 410
Motor shell	Aluminum alloy

Suction Lift Performance Table

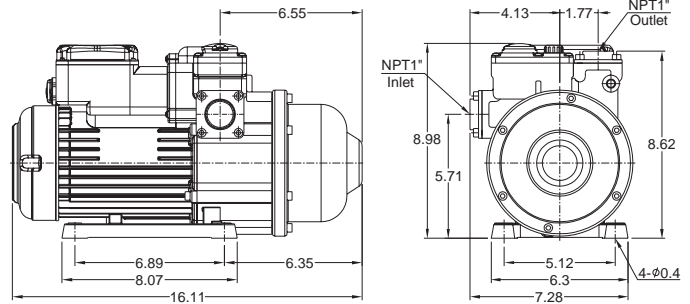
Model	Discharge pressure (psi)	Flow capacity with suction lift (GPM)					
		0'	5'	10'	15'	20'	25'
HQ200	10	12.2	11.2	10.2	9.3	8.3	7.3
	20	7.7	6.7	5.5	4.3	3.1	1.8
HQ400	10	18.5	17.5	16.3	14.9	13.5	12.0
	20	12.6	11.0	9.6	8.0	6.4	4.6
HQ800	10	30.7	30.4	29.8	28.8	27.7	26.3
	20	26.8	25.3	23.8	22.1	19.8	16.8
	30	17.9	14.8	11.3	7.5	3.4	0.0
HQ800H	10	25.9	25.5	25.1	24.5	23.9	23.3
	20	23.6	23.0	22.4	21.7	21.0	20.1
	30	20.4	19.4	18.4	17.1	15.9	14.6
	40	15.1	13.8	12.6	11.5	10.4	9.3
	50	9.7	8.6	7.5	6.3	5.0	3.6

Dimensions (in.)


HQ200/400



HQ800/800H



Specification

Model	Power (HP)	Cycle (Hz)	Phase (Ø)	Voltage (V)	Amp's (A)	Inlet (NPT)	Outlet (NPT)	Preset activation pressure (psi)	Max discharge pressure (psi)	Q max. (GPM)	Faucet 	N.W. (lbs)
HQ200	¼	60	1	115 or 230	4.0 or 2.0	1"	1"	22	32	16.0	4	16.5
HQ400	½	60	1	115 or 230	6.0 or 3.0	1"	1"	25	37	20.8	6	18.7
HQ800	1	60	1	115 or 230	10.0 or 5.0	1"	1"	28	38	34.8	13	23.8
HQ800H	1	60	1	115 or 230	10.0 or 5.0	1"	1"	35	64	26.4	10	24.9

 - Assuming an average delivery of 2 GPM per tap and a 20 psi discharge pressure.